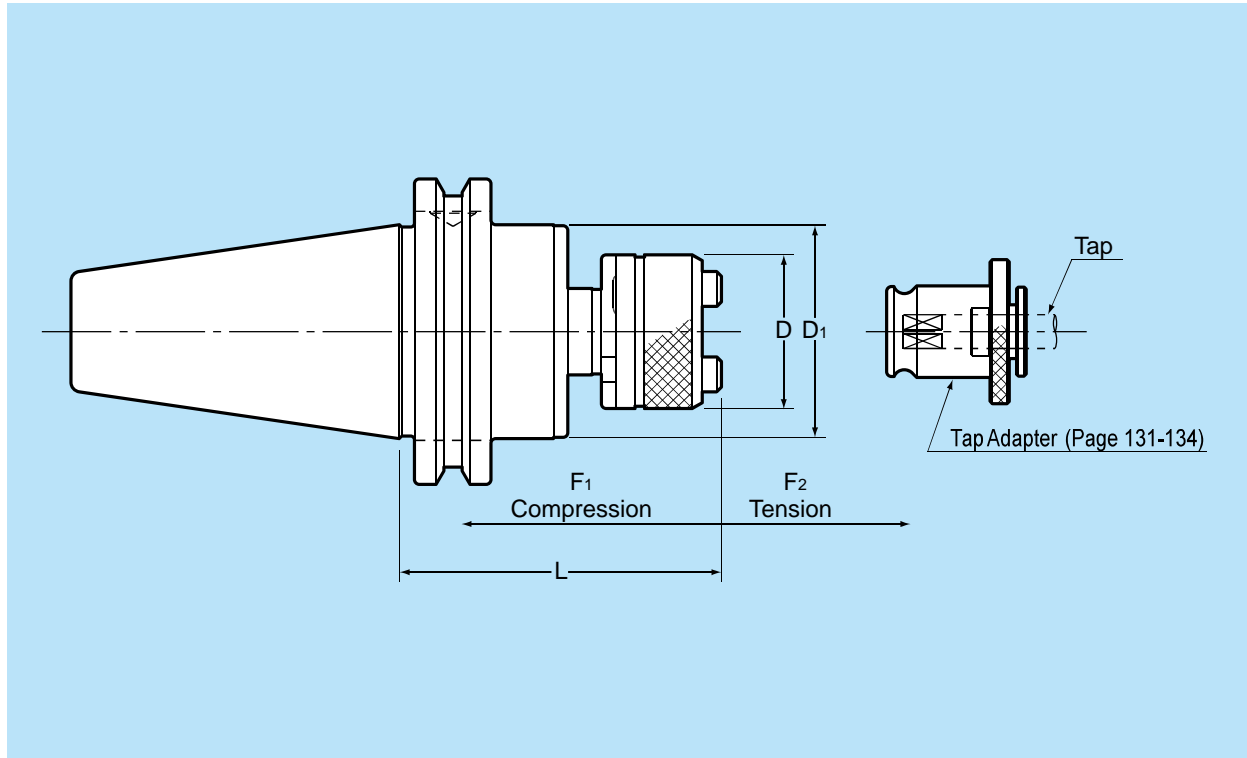


# Tap Holders CAT / TP 1

### Feature

- Axial compensating
- Minimum gauge length for maximum Z-axis clearance.
- Strong compression for roll tap applications.



Part Number	Tapping Capacity	Adapter Size	D	D1	L	Length compensation	
						F1	F2
CAT40	-TP1-1- 62	#0-12,1/4-1/2 M 3 - M12	1	1.260	2.441	0.236	0.709
	-TP1-2- 93	5/16-7/8 M 8 - M22	2	1.969	1.750	0.591	0.787
	-TP1-3-164	13/16-1-3/8 M16 - M38	3	2.835	6.457	0.787	
CAT50	-TP1-1- 71	#0-12,1/4-1/2 M 3 - M12	1	1.260	2.795	0.236	0.709
	-TP1-2-102	5/16-7/8 M 8 - M22	2	1.969	2.750	0.591	0.787
	-TP1-3-142	13/16-1-3/8 M16 - M38	3	2.835	5.591	0.787	
	-TP1-4-165	7/8-1-3/4 M22 - M48	4	3.740	6.496	0.886	0.886

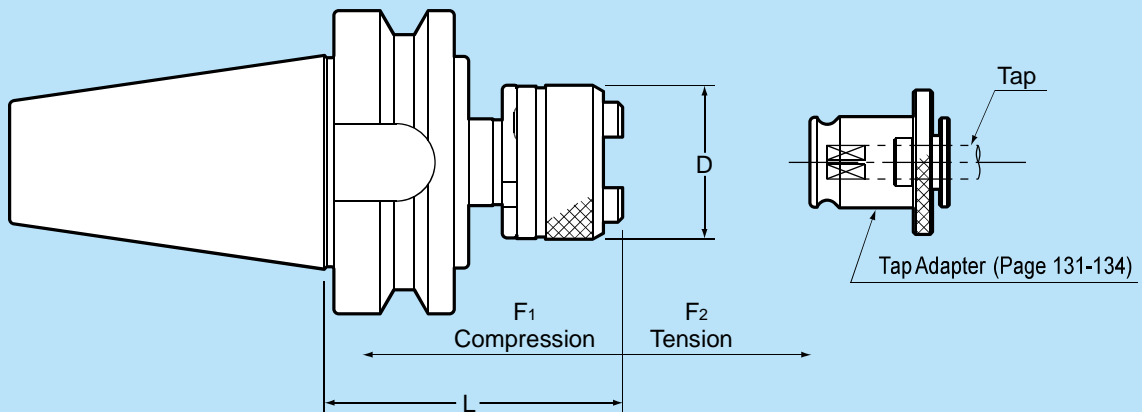
Ordering Example

CAT40-TP1-1-62

# Tap Holders BT / TP 1

## Feature

- Axial compensating
- Minimum gauge length for maximum Z-axis clearance.
- Strong compression for roll tap applications.



Part Number	Tapping Capacity	Adapter Size	D	L	Length compensation	
					F <sub>1</sub>	F <sub>2</sub>
BT30	-TP1-1- 57 #0-12,1/4-1/2 M 3 - M12	1	1.260	2.244	0.236	0.709
	-TP1-2- 95 5/16-7/8 M 8 - M22	2	1.969	3.740	0.394	0.591
BT40	-TP1-1- 62 #0-12,1/4-1/2 M 3 - M12	1	1.260	2.441	0.236	0.709
	-TP1-2- 93 5/16-7/8 M 8 - M22	2	1.969	3.681	0.591	0.787
	-TP1-3-164 13/16-1-3/8 M16 - M38	3	2.835	6.457	0.787	
BT50	-TP1-1- 71 #0-12,1/4-1/2 M 3 - M12	1	1.260	2.795	0.236	0.709
	-TP1-2-102 5/16-7/8 M 8 - M22	2	1.969	4.114	0.591	0.787
	-TP1-3-142 13/16-1-3/8 M16 - M38	3	2.835	5.591	0.787	
	-TP1-4-165 7/8-1-3/4 M22 - M48	4	3.740	6.496	0.886	0.886

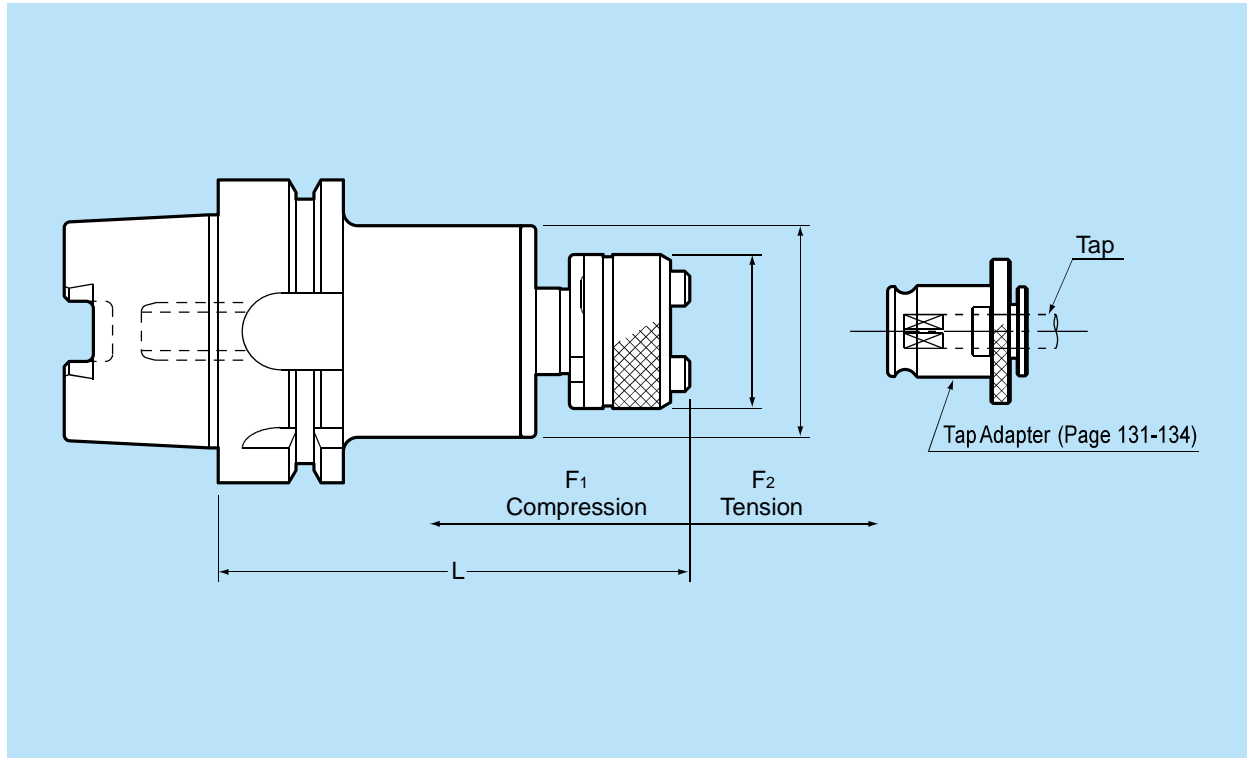
Ordering Example

BT40-TP1-1-62

# Tap Holders HSK / TP 1

## Feature

- Axial compensating
- Minimum gauge length for maximum Z-axis clearance.
- Strong compression for roll tap applications.



Part Number	Tapping Capacity	Adapter Size	D	D1	L	Length compensation	
						F1	F2
HSK 40 A -TP1-1-113	#0-12, 1/4-1/2 M3-M12	1	1.260	1.732	4.449	0.236	0.709
HSK 63 A	-TP1-1-113	#0-12, 1/4-1/2 M3-M12	1.260	1.732	4.449	0.236	0.709
	-TP1-2-139	5/16-7/8 M8-M20	1.969	1.811	5.472	0.394	0.591
HSK100 A	-TP1-1-113	#0-12, 1/4-1/2 M3-M12	1.260	1.732	4.449	0.236	0.709
	-TP1-2-139	5/16-7/8 M8-M20	1.969	1.811	5.472	0.394	0.591
	-TP1-3-211	13/16-1-3/8 M14-M33	2.835	2.441	8.307	0.787	0.787

## Ordering Example HSK63A-TP1-1-113

- Coolant tube built-in.
- “ Through coolant ” option not possible.