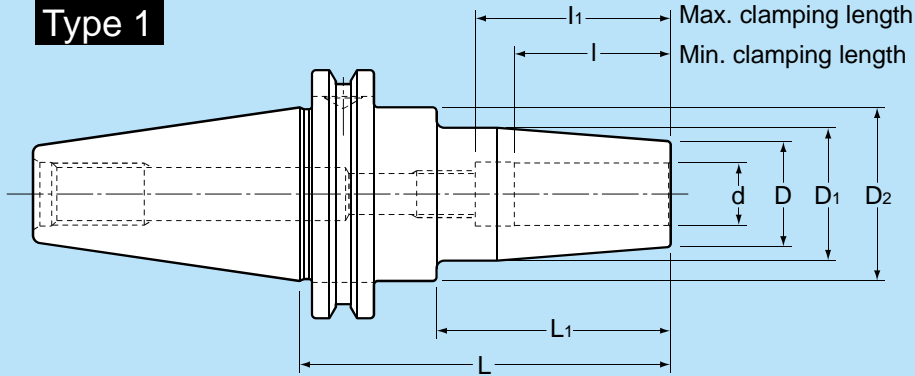
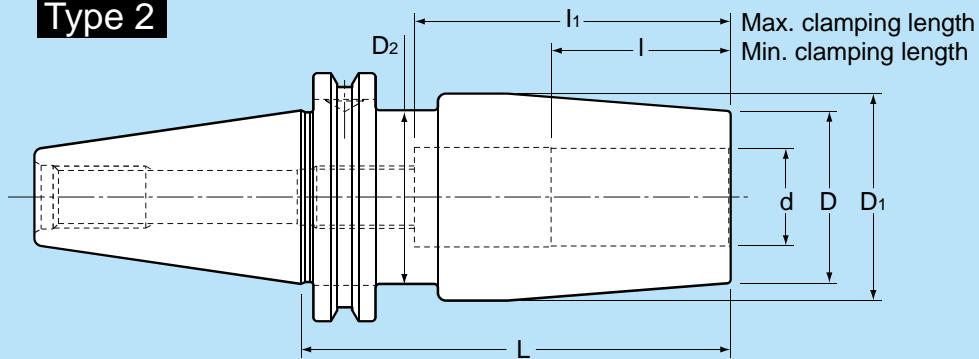


Shrink-Fit Holders

CAT / SRD Inch

Type 1

Type 2


Part Number		d	L	L ₁	D	D ₁	D ₂	I	I ₁
CAT40	-SRD0250A	- 95	3.740	2.360	0.827	1.063	1.024	1.417	
		-120	4.724	3.344					
		-160	6.299	4.919					
	-SRD0312A	- 95	3.740	2.360	0.945	1.260	1.969		
		-120	4.724	3.344					
		-160	6.299	4.919					
	-SRD0375A	- 95	3.740	2.360	1.299	1.654	3.386		
		-120	4.724	3.344					
		-160	6.299	4.919					
	-SRD0500A	- 95	3.740	2.360	1.732	2.087	3.937		
		-120	4.724	3.344					
		-160	6.299	4.919					
	-SRD0625A	- 95	3.740	2.360	1.750	1.575	3.150		
		-120	4.724	3.344					
		-160	6.299	4.919					
	-SRD0750A	- 95	3.740	2.360	1.654	3.386			
		-120	4.724	3.344					
		-160	6.299	4.919					
-SRD0875A	- 95	3.740	2.360	1.654	3.937				
	-120	4.724	3.344						
	-160	6.299	4.919						
-SRD1000A	-110	4.331	—	1.890	3.780				
	-135	5.315	—						
	-160	6.299	—						
-SRD1250A	-110	4.331	—	1.890	3.780				
	-135	5.315	—						
	-160	6.299	—						

Shrink-Fit Holders

CAT / SRD Inch

Part Number	Type	d	L	L ₁	D	D ₁	D ₂	l	l ₁	
CAT50	1	0.250	- 95	3.740	2.360	0.827	1.063	1.024	1.417	
			-120	4.724	3.344					
			-160	6.299	4.919					
			- 95	3.740	2.360					
			-120	4.724	3.344					
			-160	6.299	4.919					
		-SRD0312A	0.312	- 95	3.740	2.360	0.945	1.260	1.260	1.969
				-120	4.724	3.344				
				-160	6.299	4.919				
		-SRD0375A	0.375	- 95	3.740	2.360	1.299	1.654	2.750	1.654
				-120	4.724	3.344				
				-160	6.299	4.919				
		-SRD0500A	0.500	- 95	3.740	2.360	1.732	2.087	1.890	2.244
				-120	4.724	3.344				
				-160	6.299	4.919				
		-SRD0625A	0.625	- 95	3.740	2.360	1.732	2.087	1.890	3.150
				-120	4.724	3.344				
				-160	6.299	4.919				
		-SRD0750A	0.750	- 95	3.740	2.360	1.732	2.087	1.890	3.386
				-120	4.724	3.344				
				-160	6.299	4.919				
		-SRD0875A	0.875	- 95	3.740	2.360	1.732	2.087	1.890	3.386
				-120	4.724	3.344				
				-160	6.299	4.919				
-SRD1000A	1.000	-105	4.134	2.754	1.732	2.087	1.890	3.780		
		-120	4.724	3.344						
		-160	6.299	4.919						
-SRD1250A	1.250	-105	4.134	2.754	1.732	2.087	1.890	3.937		
		-120	4.724	3.344						
		-160	6.299	4.919						
-SRD1500A	1.500	-105	4.134	2.754	1.732	2.087	1.890	3.937		
		-120	4.724	3.344						
		-160	6.299	4.919						

Ordering Example CAT40-SRD0500A-120

- Two M4 × 5(S) hex-head screws are necessary to plug the air holes for coolant through operation.

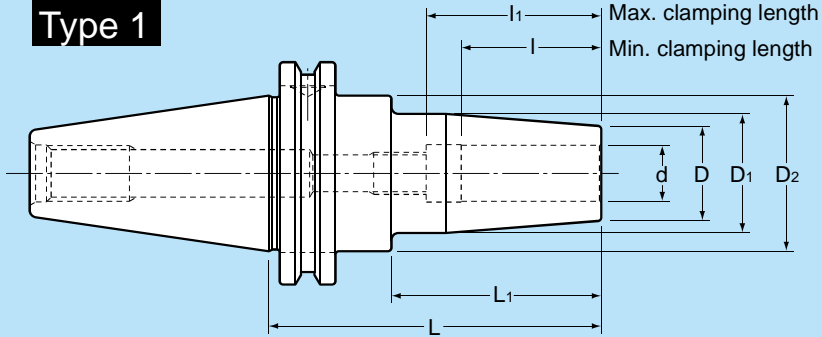
Heating device chart

Holder	L ₁ ≤ 2.362	L ₁ > 2.362
IH1500 (page 105)	○	○
IH3200-N (page 107)	✘	○
SRK-HA1, HB2 (page 110)	✘	✘

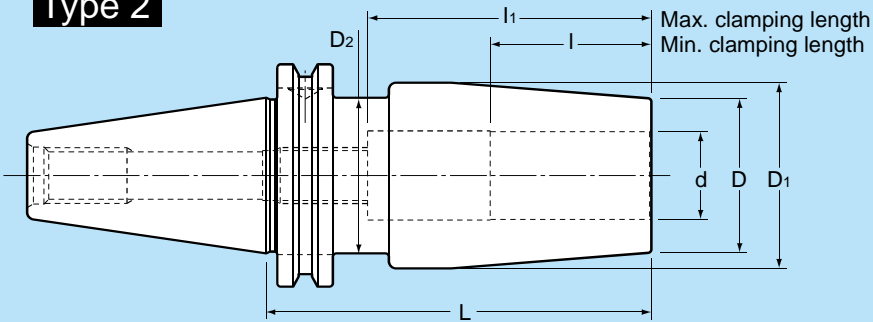
Shrink-Fit Holders

CAT / SRD Metric

Type 1



Type 2



Part Number	Type	d (mm)	L	L ₁	D	D ₁	D ₂	I	I ₁
CAT40	1	6	- 95	3.740	2.360	0.827	1.063	1.024	1.417
			-120	4.724	3.344				
			-160	6.299	4.919				
		8	- 95	3.740	2.360	0.945	1.260	1.969	
			-120	4.724	3.344				
			-160	6.299	4.919				
		10	- 95	3.740	2.360	1.063	1.339	1.750	
			-120	4.724	3.344				
			-160	6.299	4.919				
		12	- 95	3.740	2.360	1.299	1.654	2.756	
			-120	4.724	3.344				
			-160	6.299	4.919				
		14	- 95	3.740	2.360	1.575	3.150	3.386	
			-120	4.724	3.344				
			-160	6.299	4.919				
		16	- 95	3.740	2.360	1.654	3.937	3.780	
			-120	4.724	3.344				
			-160	6.299	4.919				
18	- 95	3.740	2.360	1.732	2.087	3.937			
	-120	4.724	3.344						
	-160	6.299	4.919						
20	- 95	3.740	2.360	1.890	3.780	3.937			
	-120	4.724	3.344						
	-160	6.299	4.919						
25	-110	4.331	—	1.890	3.780	3.937			
	-135	5.315	—						
	-160	6.299	—						
32	-110	4.331	—	1.890	3.780	3.937			
	-135	5.315	—						
	-160	6.299	—						

Shrink-Fit Holders

CAT / SRD Metric

Part Number	Type	d (mm)	L	L ₁	D	D ₁	D ₂	I	I ₁	
CAT50	1	6	- 95	3.740	2.360	0.827	1.063	1.024	1.417	
			-120	4.724	3.344					
			-160	6.299	4.919					
			- 95	3.740	2.360					
			-120	4.724	3.344					
			-160	6.299	4.919					
		-SRD 8A	8	- 95	3.740	2.360	0.945	1.260	1.969	
				-120	4.724	3.344				
				-160	6.299	4.919				
		-SRD10A	10	- 95	3.740	2.360	1.063	1.339	2.750	
				-120	4.724	3.344				
				-160	6.299	4.919				
		-SRD12A	12	- 95	3.740	2.360	1.299	1.654	1.575	3.150
				-120	4.724	3.344				
				-160	6.299	4.919				
		-SRD14A	14	- 95	3.740	2.360	1.732	2.087	1.890	4.331
				-120	4.724	3.344				
				-160	6.299	4.919				
		-SRD16A	16	- 95	4.134	2.754	1.732	2.087	1.890	4.724
				-120	4.724	3.344				
				-160	6.299	4.919				
		-SRD18A	18	- 95	4.134	2.754	1.732	2.087	1.890	4.724
				-120	4.724	3.344				
				-160	6.299	4.919				
-SRD20A	20	- 95	4.134	2.754	1.732	2.087	1.890	4.724		
		-120	4.724	3.344						
		-160	6.299	4.919						
-SRD25A	25	-105	4.134	2.754	1.732	2.087	1.890	4.724		
		-120	4.724	3.344						
		-160	6.299	4.919						
-SRD32A	32	-105	4.134	2.754	1.732	2.087	1.890	4.724		
		-120	4.724	3.344						
		-160	6.299	4.919						

Ordering Example CAT40-SRD12A-120

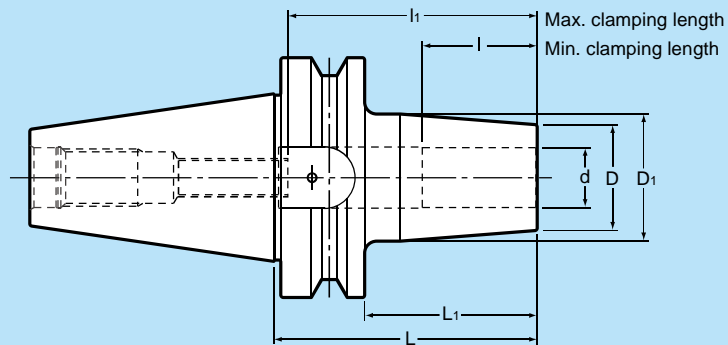
- Two M4 × 5(S) hex-head screws are necessary to plug the air holes for coolant through operation.

Heating device chart

Holder	L ₁ ≤ 2.362	L ₁ > 2.362
IH1500 (page 105)	○	○
IH3200-N (page 107)	✕	○
SRK-HA1, HB2 (page 110)	✕	✕

Shrink-Fit Holders

BT / SRD Inch



Part Number	d	L	L ₁	D	D ₁	I	I ₁	
BT30	-SRD0250 A	- 80	3.150	2.283	0.827	1.063	1.024	1.417
		-105	4.134	3.268				
		-120	4.724	3.858				
	-SRD0312 A	- 80	3.150	2.283	0.945	1.260	1.260	1.969
		-105	4.134	3.268				
		-120	4.724	3.858				
	-SRD0375 A	- 80	3.150	2.283	0.945	1.260	1.260	1.969
		-105	4.134	3.268				
		-120	4.724	3.858				
	-SRD0500 A	- 80	3.150	2.283	1.063	1.339	1.575	3.150
		-105	4.134	3.268				
		-120	4.724	3.858				
-SRD0625 A	- 80	3.150	2.283	1.063	1.339	1.575	3.150	
	-105	4.134	3.268					
	-120	4.724	3.858					
BT40	-SRD0250 A	- 90	3.543	2.480	0.827	1.063	1.024	1.417
		-120	4.724	3.661				
		-160	6.299	5.236				
	-SRD0312 A	- 90	3.543	2.480	0.945	1.260	1.260	1.969
		-120	4.724	3.661				
		-160	6.299	5.236				
	-SRD0375 A	- 90	3.543	2.480	0.945	1.260	1.260	1.969
		-120	4.724	3.661				
		-160	6.299	5.236				
	-SRD0500 A	- 90	3.543	2.480	1.063	1.339	1.575	3.150
		-120	4.724	3.661				
		-160	6.299	5.236				
	-SRD0625 A	- 90	3.543	2.480	1.063	1.339	1.575	3.150
		-120	4.724	3.661				
		-160	6.299	5.236				
	-SRD0750 A	- 90	3.543	2.480	1.299	1.654	1.654	3.386
		-120	4.724	3.661				
		-160	6.299	5.236				
	-SRD0875 A	- 90	3.543	2.480	1.299	1.654	1.654	3.386
		-120	4.724	3.661				
		-160	6.299	5.236				
	-SRD1000 A	-100	3.937	2.874	1.732	2.087	1.890	3.780
		-120	4.724	3.661				
		-160	6.299	5.236				
-SRD1250 A	-100	3.937	2.874	1.732	2.087	1.890	3.780	
	-120	4.724	3.661					
	-160	6.299	5.236					

Shrink-Fit Holders

BT / SRD Inch

Part Number	d	L	L ₁	D	D ₁	I	I ₁	
BT50	0.250	-100	3.937	2.441	0.827	1.063	1.024	
		-120	4.724	3.228				1.417
		-160	6.299	4.803				
		-100	3.937	2.441				
		-120	4.724	3.228				
		-160	6.299	4.803				
	0.312	-100	3.937	2.441	0.945	1.260	1.260	1.969
		-120	4.724	3.228				
		-160	6.299	4.803				
		-100	3.937	2.441				
		-120	4.724	3.228				
		-160	6.299	4.803				
	0.375	-100	3.937	2.441	1.063	1.339	1.575	3.150
		-120	4.724	3.228				
		-160	6.299	4.803				
		-100	3.937	2.441				
		-120	4.724	3.228				
		-160	6.299	4.803				
	0.500	-100	3.937	2.441	1.299	1.654	1.654	3.386
		-120	4.724	3.228				
		-160	6.299	4.803				
		-100	3.937	2.441				
		-120	4.724	3.228				
		-160	6.299	4.803				
0.625	-100	3.937	2.441	1.299	1.654	1.654	3.386	
	-120	4.724	3.228					
	-160	6.299	4.803					
	-100	3.937	2.441					
	-120	4.724	3.228					
	-160	6.299	4.803					
0.750	-100	3.937	2.441	1.299	1.654	1.654	3.386	
	-120	4.724	3.228					
	-160	6.299	4.803					
	-100	3.937	2.441					
	-120	4.724	3.228					
	-160	6.299	4.803					
0.875	-100	3.937	2.441	1.299	1.654	1.654	3.386	
	-120	4.724	3.228					
	-160	6.299	4.803					
	-100	3.937	2.441					
	-120	4.724	3.228					
	-160	6.299	4.803					
1.000	-110	4.331	2.835	1.732	2.087	1.890	3.937	
	-135	5.315	3.819					
	-160	6.299	4.803					
	-110	4.331	2.835					
	-135	5.315	3.819					
	-160	6.299	4.803					
1.250	-110	4.331	2.835	1.732	2.087	1.890	3.937	
	-135	5.315	3.819					
	-160	6.299	4.803					
	-110	4.331	2.835					
	-135	5.315	3.819					
	-160	6.299	4.803					
1.500	-110	4.331	2.835	1.732	2.087	1.890	3.937	
	-135	5.315	3.819					
	-160	6.299	4.803					
	-110	4.331	2.835					
	-135	5.315	3.819					
	-160	6.299	4.803					

Ordering Example BT40-SRD0500A-120

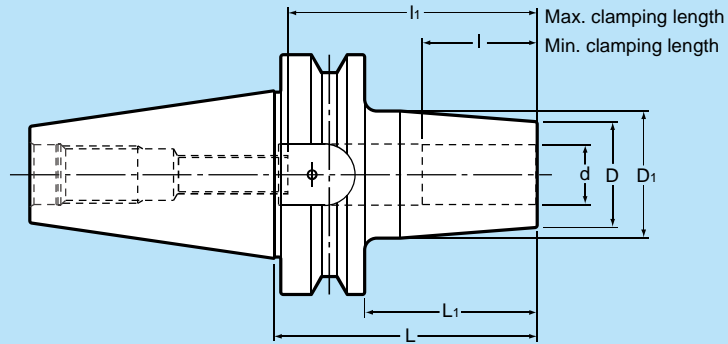
- Two M4 x 5(S) hex-head screws are necessary to plug the air holes for coolant through operation.

Heating device chart

Holder	L ₁ ≤ 2.362	L ₁ > 2.362
IH1500 (page 105)	○	○
IH3200-N (page 107)	✘	○
SRK-HA1, HB2 (page 110)	✘	✘

Shrink-Fit Holders

BT / SRD Metric



Part Number	d (mm)	L	L ₁	D	D ₁	I	I ₁	
BT30	-SRD 6 A	- 80	3.150	2.283	0.827	1.063	1.024	1.417
		-105	4.134	3.268				
		-120	4.724	3.858				
	-SRD 8 A	- 80	3.150	2.283	0.945	1.260	1.260	1.969
		-105	4.134	3.268				
		-120	4.724	3.858				
	-SRD10 A	- 80	3.150	2.283	1.063	1.339	1.457	2.756
		-105	4.134	3.268				
		-120	4.724	3.858				
	-SRD12 A	- 80	3.150	2.283	1.063	1.339	1.575	3.150
		-105	4.134	3.268				
		-120	4.724	3.858				
BT40	-SRD 6 A	- 90	3.543	2.480	0.827	1.063	1.024	1.417
		-120	4.724	3.661				
		-160	6.299	5.236				
	-SRD 8 A	- 90	3.543	2.480	0.945	1.260	1.260	1.969
		-120	4.724	3.661				
		-160	6.299	5.236				
	-SRD10 A	- 90	3.543	2.480	1.063	1.339	1.457	2.756
		-120	4.724	3.661				
		-160	6.299	5.236				
	-SRD12 A	- 90	3.543	2.480	1.063	1.339	1.575	3.150
		-120	4.724	3.661				
		-160	6.299	5.236				
	-SRD14 A	- 90	3.543	2.480	1.299	1.654	1.654	3.386
		-120	4.724	3.661				
		-160	6.299	5.236				
	-SRD16 A	- 90	3.543	2.480	1.299	1.654	1.654	3.386
		-120	4.724	3.661				
		-160	6.299	5.236				
	-SRD18 A	- 90	3.543	2.480	1.732	2.087	1.890	3.780
		-120	4.724	3.661				
		-160	6.299	5.236				
-SRD20 A	- 90	3.543	2.480	1.732	2.087	1.890	3.780	
	-120	4.724	3.661					
	-160	6.299	5.236					
-SRD25 A	- 100	3.937	2.874	1.732	2.087	1.890	3.780	
	-120	4.724	3.661					
	-160	6.299	5.236					
-SRD32 A	- 100	3.937	2.874	1.732	2.087	1.890	3.780	
	-120	4.724	3.661					
	-160	6.299	5.236					

Shrink-Fit Holders

BT / SRD Metric

Part Number		d (mm)	L	L ₁	D	D ₁	I	I ₁	
BT50	-SRD 6 A	6	3.937	2.441	0.827	1.063	1.024	1.417	
	- 120		4.724	3.228					
	- 160		6.299	4.803					
	-SRD 8 A	- 100	8	3.937	2.441	0.945	1.260	1.260	1.969
		- 120		4.724	3.228				
		- 160		6.299	4.803				
	-SRD10 A	- 100	10	3.937	2.441	1.063	1.339	1.457	2.756
		- 120		4.724	3.228				
		- 160		6.299	4.803				
	-SRD12 A	- 100	12	3.937	2.441	1.299	1.654	1.654	3.937
		- 120		4.724	3.228				
		- 160		6.299	4.803				
	-SRD14 A	- 100	14	3.937	2.441	1.732	2.087	1.890	4.331
		- 120		4.724	3.228				
		- 160		6.299	4.803				
	-SRD16 A	- 100	16	4.331	2.835	1.890	2.087	1.890	4.331
		- 120		4.724	3.228				
		- 160		6.299	4.803				
	-SRD18 A	- 100	18	4.331	2.835	1.732	2.087	1.890	4.331
		- 120		4.724	3.228				
		- 160		6.299	4.803				
	-SRD20 A	- 100	20	4.331	2.835	1.732	2.087	1.890	4.331
		- 120		4.724	3.228				
		- 160		6.299	4.803				
-SRD25 A	- 110	25	4.331	2.835	1.732	2.087	1.890	4.331	
	- 135		5.315	3.819					
	- 160		6.299	4.803					
-SRD32 A	- 110	32	4.331	2.835	1.732	2.087	1.890	4.331	
	- 135		5.315	3.819					
	- 160		6.299	4.803					

Ordering Example BT40-SRD12A-120

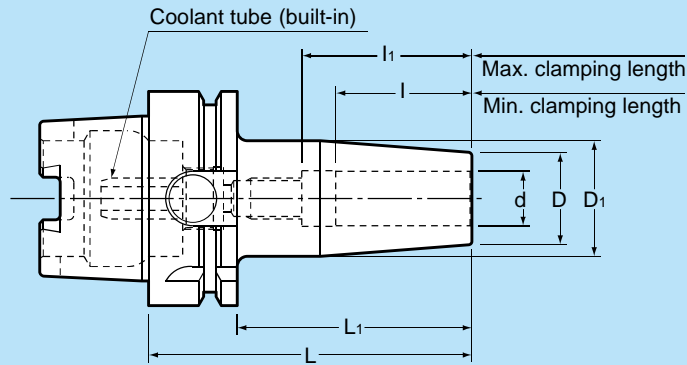
- Two M4 × 5(S) hex-head screws are necessary to plug the air holes for coolant through operation.

Heating device chart

Holder	L ₁ ≤ 2.362	L ₁ > 2.362
IH1500 (page 105)	○	○
IH3200-N (page 107)	✗	○
SRK-HA1, HB2 (page 110)	✗	✗

Shrink-Fit Holders

HSK - A / SRD Inch



Part Number	d	L	L ₁	D	D ₁	l	l ₁	
HSK40 A	-SRD0250 A	- 80	3.150	2.362	0.827	1.063	1.024	1.417
		-120	4.724	3.937				
		-160	6.299	5.512				
	-SRD0312 A	- 80	3.150	2.362	0.945	1.260	1.260	1.654
		-120	4.724	3.937				
		-160	6.299	5.512				
	-SRD0375 A	- 80	3.150	2.362	0.945	1.260	1.457	1.850
		-120	4.724	3.937				
		-160	6.299	5.512				
	-SRD0500 A	- 90	3.543	2.756	1.063	1.339	1.575	1.969
		-120	4.724	3.937				
		-160	6.299	5.512				
-SRD0625 A	- 90	3.543	2.756	1.063	1.339	1.575	2.756	
	-120	4.724	3.937					
	-160	6.299	5.512					
HSK63A	-SRD0250 A	- 80	3.150	2.126	0.827	1.063	1.024	1.417
		-120	4.724	3.701				
		-160	6.299	5.276				
	-SRD0312 A	- 80	3.150	2.126	0.945	1.260	1.260	1.654
		-120	4.724	3.701				
		-160	6.299	5.276				
	-SRD0375 A	- 85	3.346	2.323	0.945	1.260	1.457	1.850
		-120	4.724	3.701				
		-160	6.299	5.276				
	-SRD0500 A	- 90	3.543	2.520	1.063	1.339	1.575	1.969
		-120	4.724	3.701				
		-160	6.299	5.276				
	-SRD0625 A	- 95	3.740	2.717	1.063	1.339	1.575	1.969
		-120	4.724	3.701				
		-160	6.299	5.276				
	-SRD0750 A	- 95	3.740	2.717	1.299	1.654	1.654	2.047
		-120	4.724	3.701				
		-160	6.299	5.276				
	-SRD0875 A	-100	3.937	2.913	1.299	1.654	1.654	2.047
		-160	6.299	5.276				
		-160	6.299	5.276				
-SRD1000 A	-115	4.528	3.504	1.732	2.087	1.890	2.441	
	-160	6.299	5.276					
	-160	6.299	5.276					
-SRD1250 A	-120	4.724	3.701	1.732	2.087	1.890	2.441	
	-160	6.299	5.276					
	-160	6.299	5.276					

Shrink-Fit Holders

HSK - A / SRD Inch

Part Number			d	L	L ₁	D	D ₁	I	I ₁
HSK100A	-SRD0250 A	- 85	0.250	3.346	2.205	0.827	1.063	1.024	1.417
		-120		4.724	3.583				
		-160		6.299	5.157				
	-SRD0312 A	- 85	0.312	3.346	2.205	0.945	1.260	1.260	1.969
		-120		4.724	3.583				
		-160		6.299	5.157				
	-SRD0375 A	- 90	0.375	3.543	2.402	1.299	1.654	1.654	1.654
		-120		4.724	3.583				
		-160		6.299	5.157				
	-SRD0500 A	- 95	0.500	3.740	2.598	1.732	2.087	1.890	1.850
		-120		4.724	3.583				
		-160		6.299	5.157				
	-SRD0625 A	-100	0.625	3.937	2.795	1.732	2.087	1.890	1.969
		-160		6.299	5.157				3.150
		-100		3.937	2.795				1.575
	-SRD0750 A	-100	0.750	3.937	2.795	1.732	2.087	1.890	1.969
		-160		6.299	5.157				3.150
		-105		4.134	2.992				1.654
-SRD0875 A	-105	0.875	4.134	2.992	1.732	2.087	1.890	1.969	
	-160		6.299	5.157				3.150	
	-115		4.528	3.386				2.283	
-SRD1000 A	-115	1.000	4.528	3.386	1.732	2.087	1.890	2.283	
	-160		6.299	5.157				3.661	
	-120		4.724	3.583				2.283	
-SRD1250 A	-120	1.250	4.724	3.583	1.732	2.087	1.890	2.283	
	-160		6.299	5.157				3.661	
	-120		4.724	3.583				2.283	
-SRD1500 A	-120	1.500	4.724	3.583	1.732	2.087	1.890	2.283	
	-160		6.299	5.157				3.661	

Ordering Example HSK63A-SRD0500A-120

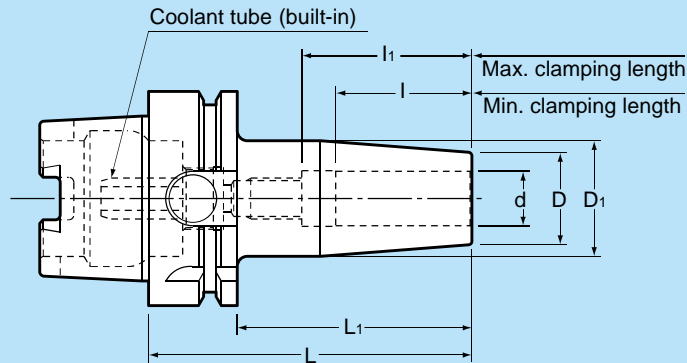
- Coolant tube built-in.

Heating device chart

Heating device	Holder	
	L ₁ ≤ 2.362	L ₁ > 2.362
IH1500 (page 105)	○	○
IH3200-N (page 107)	✘	○
SRK-HA1, HB2 (page 110)	✘	✘

Shrink-Fit Holders

HSK - A / SRD Metric



Part Number		d (mm)	L	L ₁	D	D ₁	I	I ₁		
HSK40A	-SRD 6A	- 80	3.150	2.362	0.827	1.063	1.024	1.417		
		-120	4.724	3.937						
		-160	6.299	5.512						
	-SRD 8A	- 80	3.150	2.362			0.945	1.260	1.260	1.654
		-120	4.724	3.937						
		-160	6.299	5.512						
	-SRD10A	- 80	3.150	2.362	0.945	1.260	1.260	1.969		
		-120	4.724	3.937						
		-160	6.299	5.512						
	-SRD12A	- 90	3.543	2.756			1.063	1.339	1.457	1.850
		-120	4.724	3.937						
		-160	6.299	5.512						
-SRD14A	- 90	3.543	2.756	1.063	1.339	1.457	1.850			
	-120	4.724	3.937							
	-160	6.299	5.512							
-SRD16A	- 90	3.543	2.756	1.063	1.339	1.457	1.850			
	-120	4.724	3.937							
	-160	6.299	5.512							
HSK63A	-SRD 6A	- 80	3.150	2.126	0.827	1.063	1.024	1.417		
		-120	4.724	3.701						
		-160	6.299	5.276						
	-SRD 8A	- 80	3.150	2.126			0.945	1.260	1.260	1.654
		-120	4.724	3.701						
		-160	6.299	5.276						
	-SRD10A	- 85	3.346	2.323	0.945	1.260	1.260	1.969		
		-120	4.724	3.701						
		-160	6.299	5.276						
	-SRD12A	- 90	3.543	2.520	0.945	1.260	1.457	1.850		
		-120	4.724	3.701						
		-160	6.299	5.276						
	-SRD14A	- 90	3.543	2.520			1.063	1.339	1.457	1.850
		-120	4.724	3.701						
		-160	6.299	5.276						
	-SRD16A	- 95	3.740	2.717	1.063	1.339	1.457	1.969		
		-120	4.724	3.701						
		-160	6.299	5.276						
-SRD18A	- 95	3.740	2.717	1.299	1.654	1.575	1.969			
	-120	4.724	3.701							
	-160	6.299	5.276							
-SRD20A	-100	3.937	2.913	1.299	1.654	1.654	2.756			
	-160	6.299	5.276				3.150			
-SRD25A	-115	4.528	3.504	1.732	2.087	1.890	2.047			
	-160	6.299	5.276				2.441			
-SRD32A	-120	4.724	3.701	1.732	2.087	1.890	3.819			
	-160	6.299	5.276				2.441			

Shrink-Fit Holders

HSK - A / SRD Metric

Part Number		d (mm)	L	L ₁	D	D ₁	I	I ₁
HSK100A	-SRD 6 A	- 85	3.346	2.205	0.827	1.063	1.024	1.417
		-120	4.724	3.583				
		-160	6.299	5.157				
	-SRD 8 A	- 85	3.346	2.205	0.945	1.260	1.260	1.654
		-120	4.724	3.583				
		-160	6.299	5.157				
	-SRD10 A	- 90	3.543	2.402	1.063	1.339	1.457	1.850
		-120	4.724	3.583				
		-160	6.299	5.157				
	-SRD12 A	- 95	3.740	2.598	1.299	1.654	1.654	2.047
		-120	4.724	3.583				
		-160	6.299	5.157				
	-SRD14 A	- 95	3.740	2.598	1.732	2.087	1.890	2.283
		-120	4.724	3.583				
		-160	6.299	5.157				
	-SRD16 A	-100	3.937	2.795	1.890	2.087	1.890	2.283
		-160	6.299	5.157				
		-100	3.937	2.795				
-SRD18 A	-100	3.937	2.795	1.890	2.087	1.890	2.283	
	-160	6.299	5.157					
	-105	4.134	2.992					
-SRD20 A	-105	4.134	2.992	1.890	2.087	1.890	2.283	
	-160	6.299	5.157					
	-115	4.528	3.386					
-SRD25 A	-115	4.528	3.386	1.890	2.087	1.890	2.283	
	-160	6.299	5.157					
	-120	4.724	3.583					
-SRD32 A	-120	4.724	3.583	1.890	2.087	1.890	2.283	
	-160	6.299	5.157					
	-160	6.299	5.157					

Ordering Example HSK63A-SRD12A-120

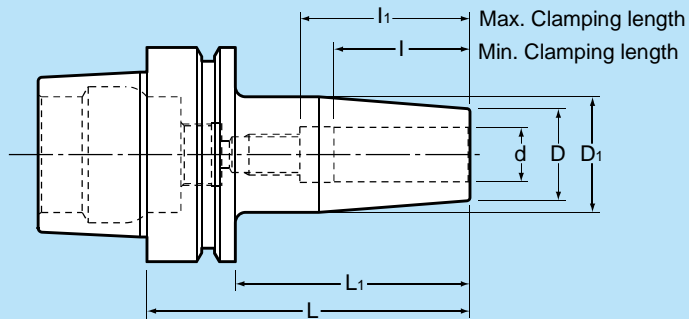
- Coolant tube built-in.

Heating device chart

Heating device \ Holder	L ₁ ≤ 2.362	L ₁ > 2.362
IH1500 (page 105)	○	○
IH3200-N (page 107)	✘	○
SRK-HA1, HB2 (page 110)	✘	✘

Shrink-Fit Holders

HSK - E / SRD Inch



Part Number	d	L	L ₁	D	D ₁	I	I ₁	
HSK40E	-SRD0250 A	- 80	3.150	2.362	0.827	1.063	1.024	1.417
		-120	4.724	3.937				
		-160	6.299	5.512				
	-SRD0312 A	- 80	3.150	2.362				
		-120	4.724	3.937				
		-160	6.299	5.512				
	-SRD0375 A	- 80	3.150	2.362	0.945	1.260	1.260	1.654
		-120	4.724	3.937				
		-160	6.299	5.512				
	-SRD0500 A	- 90	3.543	2.756				
		-120	4.724	3.937				
		-160	6.299	5.512				
-SRD0625 A	- 90	3.543	2.756	1.063	1.339	1.575	1.969	
	-120	4.724	3.937					
	-160	6.299	5.512					

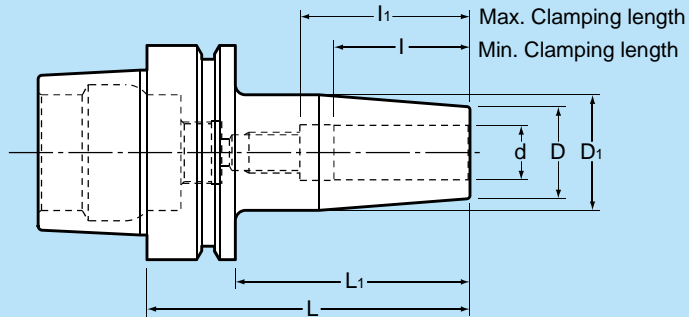
Ordering Example HSK40E-SRD0500A-120

Heating device chart

Heating device	Holder	L ₁ ≤ 2.362	L ₁ > 2.362
IH1500 (page 105)		○	○
IH3200-N (page 107)		✘	○
SRK-HA1, HB2 (page 110)		✘	✘

Shrink-Fit Holders

HSK - E / SRD Metric



Part Number	d (mm)	L	L ₁	D	D ₁	I	I ₁							
HSK40E	6	- 80	3.150	2.362	0.827	1.063	1.024	1.417						
		-120	4.724	3.937										
		-160	6.299	5.512										
	8	- 80	3.150	2.362										
		-120	4.724	3.937										
		-160	6.299	5.512										
	10	- 80	3.150	2.362					0.945	1.260	1.260	1.654		
		-120	4.724	3.937										
		-160	6.299	5.512										
	12	- 90	3.543	2.756							1.063	1.339	1.457	1.850
		-120	4.724	3.937										
		-160	6.299	5.512										
14	- 90	3.543	2.756	1.063	1.339	1.457	1.850							
	-120	4.724	3.937											
	-160	6.299	5.512											
16	- 90	3.543	2.756			1.063	1.339	1.575					1.969	
	-120	4.724	3.937											
	-160	6.299	5.512											

Ordering Example HSK40E-SRD12A-120

Heating device chart

Heating device	Holder	L ₁ ≤ 2.362	L ₁ > 2.362
IH1500 (page 105)		○	○
IH3200-N (page 107)		✗	○
SRK-HA1, HB2 (page 110)		✗	✗