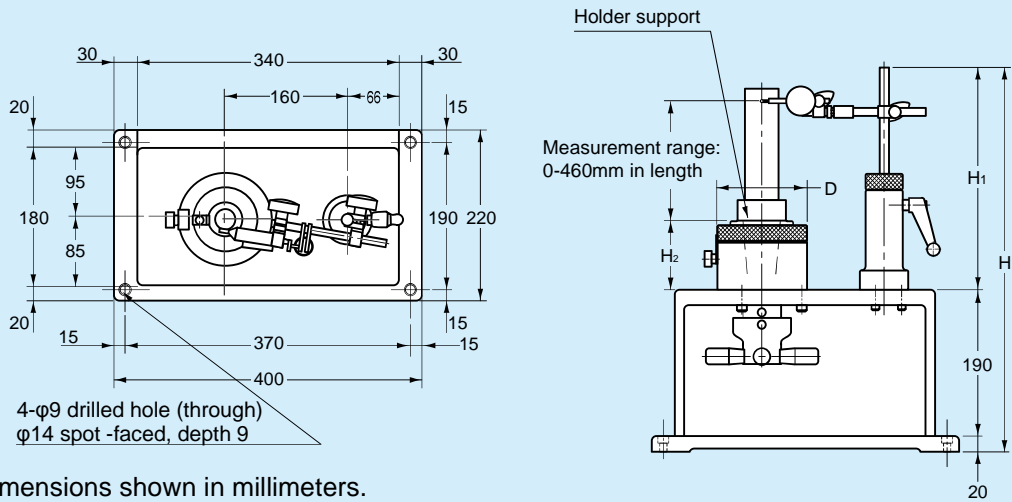


# "R" Zero Setter SPZ-2



• All dimensions shown in millimeters.

## Feature

1. Less than 3  $\mu\text{m}$  runout accuracy at 200mm (HSK).
2. Rotary holder support for BT, HSK, CAT.
3. Tool pull-in device.

| Part number | Holder support   | D(mm) | H(mm)  | H <sub>1</sub> (mm) | H <sub>2</sub> (mm) | Retention stub      |
|-------------|------------------|-------|--------|---------------------|---------------------|---------------------|
| -NT30-1     | NT30             | 4.646 | 25.984 | 17.717              | 3.543               | BT : MAS1<br>MAS2   |
| -NT40-1     | NT40             | (118) | (660)  | (450)               | (90)                |                     |
| -NT50-1     | NT50             | 6.220 | 27.953 | 19.685              | 4.724               | BT : JIS<br>SK: DIN |
| -NT30-2     | NT30             | 4.646 | 25.984 | 17.717              | 3.543               |                     |
| -NT40-2     | NT40             | (118) | (660)  | (450)               | (90)                |                     |
| -NT50-2     | NT50             | 6.220 | 27.953 | 19.685              | 4.724               |                     |
| -NT40-3     | CAT40            | 4.646 | 25.984 | 17.717              | 3.543               |                     |
| -NT50-3     | CAT50            | 6.220 | 27.953 | 19.685              | 4.724               |                     |
| -HSK40      | HSK40A, HSK40C   | 4.646 | 25.984 | 17.717              | 3.543               |                     |
| -HSK50      | HSK50A, HSK50C   | (118) | (660)  | (450)               | (90)                |                     |
| -HSK63      | HSK63A, HSK63C   | 6.220 | 27.953 | 19.685              | 4.724               |                     |
| -HSK100     | HSK100A, HSK100C | (158) | (710)  | (500)               | (120)               |                     |

• Master shank is sold separately.