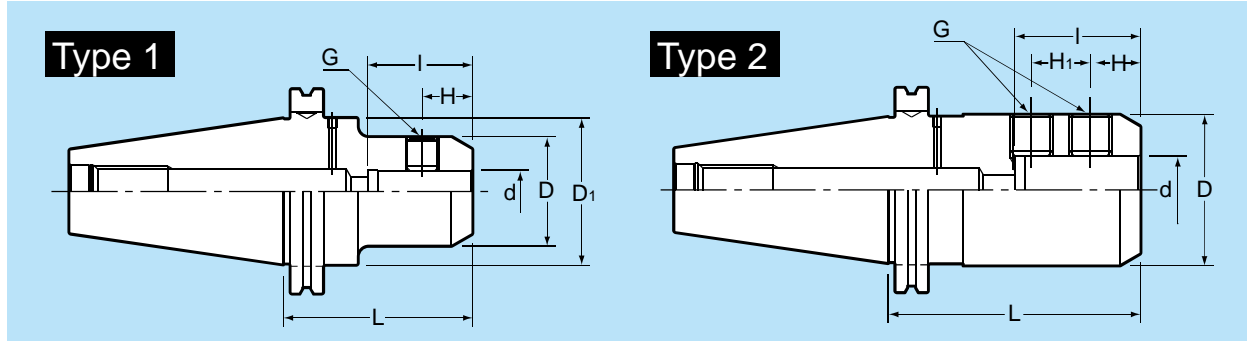


Side Lock Holders

CAT / SLH Inch

Feature

- Special anti-rust surface treatment
- H₆ I.D. tolerance



Part Number	Type	dH ₆	D	L	I	H	H ₁	D ₁	G		
CAT40	1	-SLH-0250 - 65	0.250	0.790	2.559		0.437		1.750	1/4-28x 1/4	
		-105									4.134
		-SLH-0313 - 65	0.3125	0.870	2.559					5/16-24x 1/4	
		-105									4.134
		-SLH-0375 - 65	0.375	1.000	2.559	3.000				3/8-24x 5/16	
		-105									4.134
		-SLH-0438 - 65	0.4375	1.380	2.559			0.710		1.750	7/16-20x 3/8
		-105									
		-SLH-0500 - 65	0.500	1.380	2.559						
		-105									
		-SLH-0625 - 65	0.625	1.650	2.559	3.150	0.700				9/16-18x 1/2
		-105									
-SLH-0750 - 65	0.750	1.750	2.559	3.976		0.740			5/8-18x 1/2		
-105										4.134	
-SLH-0875 - 90	0.875	2.000	3.543	4.331							
-135										5.315	
-SLH-1000 - 90	1.000	2.360	3.543	3.543		0.860					
-135										5.315	
-SLH-1250 - 135	1.250	2.650	5.315	3.543					3/4-16x 11/16		
-165										6.496	
-SLH-1500 - 135	1.500	2.990	5.315	3.543		1.181					
-165										6.496	
CAT50	1	-SLH-0250 - 90	0.250	0.790	3.543		0.437		2.750	1/4-28x 1/4	
		-135									5.315
		-SLH-0313 - 90	0.3125	0.870	3.543					5/16-24x 1/4	
		-135									5.315
		-SLH-0375 - 90	0.375	1.000	3.543	3.000				3/8-24x 5/16	
		-135									5.315
		-SLH-0438 - 90	0.4375	1.380	3.543		0.710			7/16-20x 3/8	
		-135									5.315
		-SLH-0500 - 90	0.500	1.380	3.543						
		-135									5.315
		-SLH-0625 - 90	0.625	1.650	3.543	3.150	0.700			2.750	9/16-18x 1/2
		-135									
-SLH-0750 - 90	0.750	1.750	3.543	3.976		0.740			5/8-18x 1/2		
-135										5.315	
-SLH-0875 - 90	0.875	2.000	3.543	4.331							
-135										5.315	
-SLH-1000 - 105	1.000	2.360	4.134			0.860					
-150										5.906	
-SLH-1250 - 105	1.250	2.650	4.134						3/4-16x 11/16		
-150										5.906	
-SLH-1500 - 105	1.500	2.990	4.134			1.181					
-150										5.906	
-SLH-2000 - 135	2.000	3.740	5.315			1.260	1.500		1-12x 7/8		
-165										6.496	

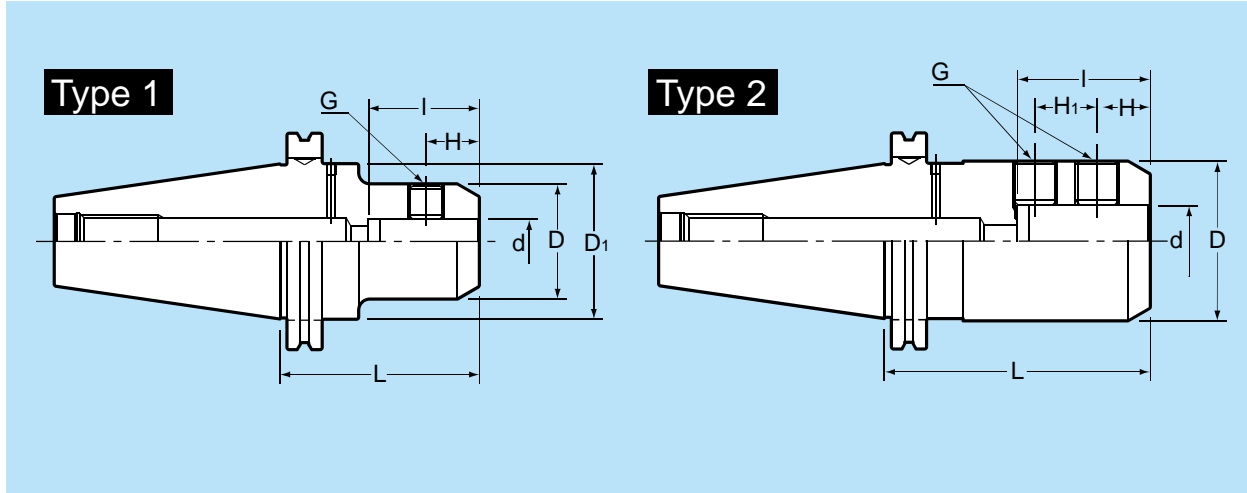
Ordering Example

CAT40-SLH-0500-105

Side Lock Holders

CAT / SL2 Metric

- Feature**
- Special anti-rust surface treatment
 - H₆/I.D. tolerance



Part Number	Type	dH ₆ (mm)	D	D ₁	L	H	H ₁	I	G (mm)	
CAT40	1	-SL2- 6- 75	6	0.984	1.750	2.953	0.709	—	1.417	M 6
		-SL2- 8- 75	8	1.102					M 8	
		-SL2-10- 75	10	1.378					M10	
		-SL2-12- 75	12	1.654					M12	
		-SL2-16- 75	16	1.890					M14	
		-SL2-20- 75	20	2.047					M16	
	2	-SL2-25- 90	25	2.559	—	3.543	0.945	0.984	2.205	M18
		-SL2-32-120	32	2.835	—	4.724	0.945	1.102	2.362	M20
CAT50	1	-SL2- 6- 90	6	0.984	2.750	3.543	0.709	—	1.417	M 6
		-SL2- 8- 90	8	1.102					M 8	
		-SL2-10- 90	10	1.378					M10	
		-SL2-12- 90	12	1.654					M12	
		-SL2-16- 90	16	1.890					M14	
		-SL2-20- 90	20	2.047					M16	
	2	-SL2-25-105	25	2.559	—	4.134	0.945	0.984	2.205	M18
		-SL2-32-120	32	2.835	—	4.724	1.181	1.260	2.362	M20
		-SL2-40-120	40	3.150	2.756					
		-SL2-42-120	42	3.228	2.756					

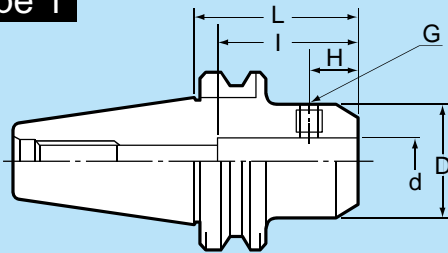
Ordering Example CAT40-SL2-12-75

Side Lock Holders

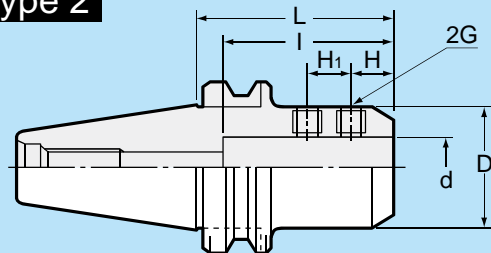
BT / SLH Inch

- Feature**
- Special anti-rust surface treatment
 - H₆I.D. tolerance

Type 1



Type 2



Part Number	Type	dH ₆	D	L	I	H	H _i	G
BT30	1	-SLH-0250 - 60	0.250	0.790	2.362		0.437	1/4-28x 1/4
		-105			4.134			
		-SLH-0313 - 60	0.3125	0.870	2.362			5/16-24x 1/4
		-105			4.134			
		-SLH-0375 - 60	0.375	1.000	2.362	3.000		3/8-24x 5/16
		-105			4.134			
		-SLH-0438 - 60	0.4375	1.380	2.362		0.710	7/16-20x 3/8
		-105			4.134			
		-SLH-0500 - 60	0.500	1.650	2.362	3.150	0.700	9/16-18x 1/2
-105	4.134							
-SLH-0625 - 60	0.625	1.750	2.362	3.976	0.740	5/8-18x 1/2		
-105			4.134					
-SLH-0750 - 90	0.750	2.000	3.543	4.331				
-120			4.724					
-SLH-0875 - 90	0.875	2.360	3.543	4.843				
-120			4.724					
BT40	1	-SLH-0250 - 75	0.250	0.790	2.953		0.437	1/4-28x 1/4
		-105			4.134			
		-SLH-0313 - 75	0.3125	0.870	2.953			5/16-24x 1/4
		-105			4.134			
		-SLH-0375 - 75	0.375	1.000	2.953	3.000		3/8-24x 5/16
		-105			4.134			
		-SLH-0438 - 75	0.4375	1.380	2.953		0.710	7/16-20x 3/8
		-105			4.134			
		-SLH-0500 - 75	0.500	1.650	2.953	3.150	0.700	9/16-18x 1/2
		-105			4.134			
		-SLH-0625 - 75	0.625	1.750	2.953	3.976	0.740	5/8-18x 1/2
		-105			4.134			
		-SLH-0750 - 90	0.750	2.000	3.543	4.331		
		-135			5.315			
		-SLH-1000 - 90	1.000	2.360	3.543	4.843	0.860	3/4-16x 11/16
-135	5.315							
-SLH-1250 - 90	1.250	2.650	3.543	4.843				
-135			5.315					
-SLH-1500 - 105	1.500	2.990	4.134	4.843	1.181			
-150			5.906					

Side Lock Holders

BT / SLH Inch

Part Number	Type	dH ₆	D	L	I	H	H ₁	G
-SLH-0250 - 90 -135	BT50 1	0.250	0.790	3.543		0.437		1/4-28x 1/4
				5.315				
-SLH-0313 - 90 -135		0.3125	0.870	3.543				5/16-24x 1/4
				5.315				
-SLH-0375 - 90 -135		0.375	1.000	3.543	3.000			3/8-24x 5/16
				5.315				
-SLH-0438 - 90 -135		0.4375	1.380	3.543			0.710	
				5.315				
-SLH-0500 - 90 -135		0.500	1.380	3.543				7/16-20x 3/8
				5.315				
-SLH-0625 - 90 -135		0.625	1.650	3.543	3.150	0.700	—	9/16-18x 1/2
				5.315				
-SLH-0750 - 90 -135		0.750	1.750	3.543	3.976	0.740		5/8-18x 1/2
				5.315				
-SLH-0875 - 90 -135		0.875	2.000	3.543	4.331			
	5.315							
-SLH-1000 -105 -150	1.000	2.360	4.134			0.860		
			5.906					
-SLH-1250 -105 -150	1.250	2.650	4.134	4.843			3/4-16x 11/16	
			5.906					
-SLH-1500 -105 -150	1.500	2.990	4.134		1.181			
			5.906					
-SLH-2000 -135 -165	2	2.000	3.740	5.315 6.496		1.260	1.500	1-12x 7/8

Ordering Example

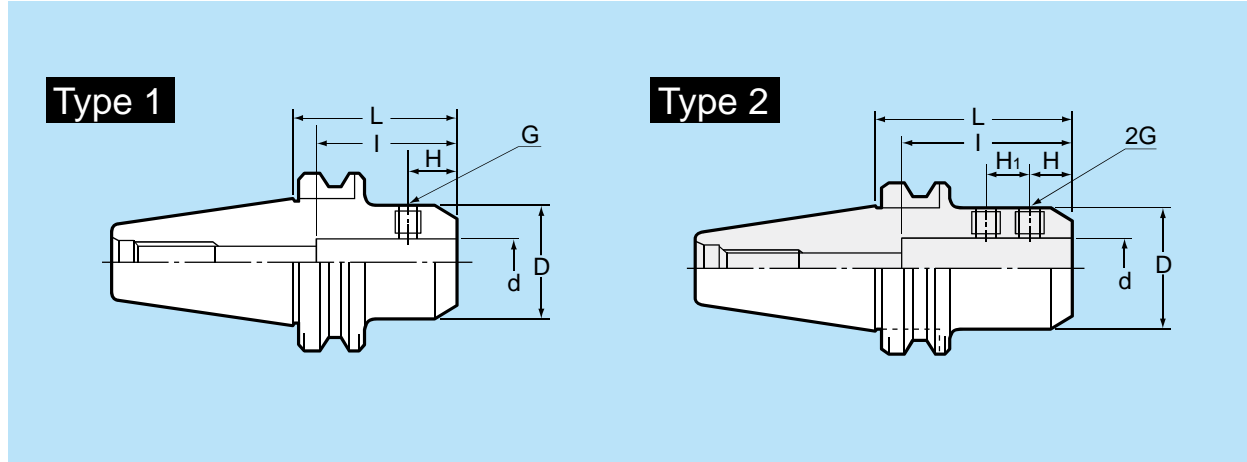
BT40-SLH-0500-75

Side Lock Holders

BT / SL 2 Metric

Feature

- Special anti-rust surface treatment
- H₆ I.D. tolerance



Part Number	Type	d H ₆ (mm)	D	L	H	H ₁	I	G (mm)
BT30	1	-SL2- 6- 60	0.984	2.362	0.709	—	1.417	M 6
		-SL2- 8- 60	1.102				1.575	M 8
		-SL2-10- 60	1.378				1.772	M10
		-SL2-12- 60	1.654	3.543	0.886	—	1.890	M12
		-SL2-16- 90	1.890				1.969	M14
		-SL2-20- 90	2.047				0.984	1.969
BT40	1	-SL2- 6- 75	0.984	2.953	0.709	—	1.417	M 6
		-SL2- 8- 75	1.102				1.575	M 8
		-SL2-10- 75	1.378				1.772	M10
		-SL2-12- 75	1.654	3.543	0.886	—	1.890	M12
		-SL2-16- 75	1.890				1.969	M14
		-SL2-20- 75	2.047				0.984	1.969
	-SL2-25- 90	2.559	4.724	0.945	0.984	2.205	M18	
	-SL2-32-120	2.835	4.724	0.945	1.102	2.362	M20	
BT50	1	-SL2- 6- 90	0.984	3.543	0.709	—	1.417	M 6
		-SL2- 8- 90	1.102				1.575	M 8
		-SL2-10- 90	1.378				1.772	M10
		-SL2-12- 90	1.654	4.134	0.886	—	1.890	M12
		-SL2-16- 90	1.890				1.969	M14
		-SL2-20- 90	2.047				0.984	1.969
	-SL2-25-105	2.559	4.724	0.945	0.984	2.205	M18	
	-SL2-32-120	2.835	4.724	0.945	1.102	2.362	M20	
	-SL2-40-120	3.150	4.724	1.181	1.260	2.756	—	M20
	-SL2-42-120	3.228						

Ordering Example

BT40-SL2-12-75

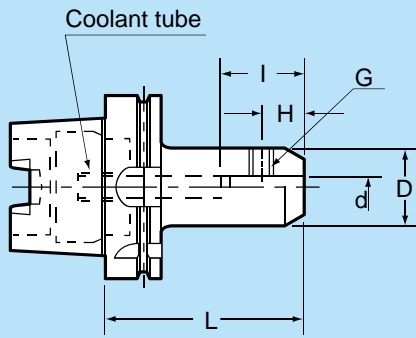
Side Lock Holders

HSK / SLH Inch

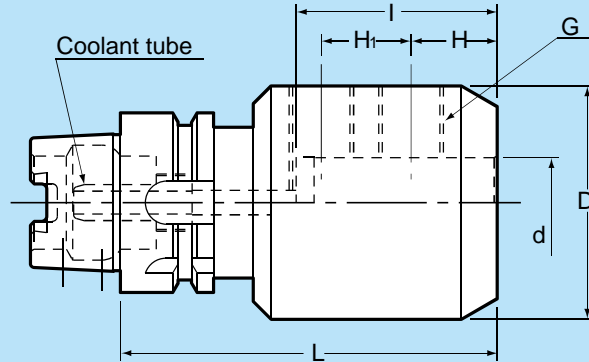
Feature

- Special anti-rust surface treatment
- H₆I.D. tolerance

Type 1



Type 2



Part Number	Type	dH ₆	D	L	I	H	H ₁	G
HSK40A	1	-SLH-0250 -60	0.250	0.790	2.362	1.420	0.437	1/4-28x 1/4
		-SLH-0250 -105						
		-SLH-0313 -60	0.3125	0.870	2.362	1.420	0.437	5/16-24x 1/4
		-SLH-0313 -105						
		-SLH-0375 -60	0.375	1.000	2.362	1.560	0.710	3/8-24x 5/16
		-SLH-0375 -105						
	-SLH-0438 -60	0.4375	1.380	2.362	1.770	0.710	7/16-20x 3/8	
	-SLH-0438 -105							
	-SLH-0500 -75	0.500	1.380	2.953	1.770	0.710	7/16-20x 3/8	
	-SLH-0500 -105							
	-SLH-0625 -75	2	0.625	1.650	2.953	1.890	0.700	9/16-18x 1/2
	-SLH-0625 -105							
	-SLH-0750 -75							
	-SLH-0750 -135	0.750	1.750	2.953	2.020	0.74	5/8-18x 1/2	
-SLH-0750 -135								
-SLH-0875 -75	0.875	2.000	2.953	2.020	0.74	5/8-18x 1/2		
-SLH-0875 -135								
HSK63A	1	-SLH-0250 -60	0.250	0.790	2.362	1.420	0.437	1/4-28x 1/4
		-SLH-0250 -105						
		-SLH-0313 -80	0.3125	0.870	3.150	1.420	0.437	5/16-24x 1/4
		-SLH-0313 -150						
		-SLH-0375 -90	0.375	1.000	3.543	1.560	0.710	3/8-24x 5/16
		-SLH-0375 -150						
	-SLH-0438 -95	0.4375	1.380	3.740	1.770	0.710	7/16-20x 3/8	
	-SLH-0438 -150							
	-SLH-0500 -95	0.500	1.380	3.740	1.770	0.710	7/16-20x 3/8	
	-SLH-0500 -150							
	-SLH-0625 -100	0.625	1.650	3.937	1.890	0.700	9/16-18x 1/2	
	-SLH-0625 -150							
	-SLH-0750 -100	0.750	1.750	3.937	2.020	0.740	5/8-18x 1/2	
	-SLH-0750 -150							
-SLH-0875 -100	0.875	2.000	3.937	2.020	0.740	5/8-18x 1/2		
-SLH-0875 -150								
-SLH-1000 -100	1.000	2.360	3.937	2.270	0.860	3/4-16x 11/16		
-SLH-1000 -150								
-SLH-1250 -100	1.250	2.650	3.937	2.270	0.860	3/4-16x 11/16		
-SLH-1250 -150								
-SLH-1500 -100	1.500	2.990	3.937	2.717	1.181	3/4-16x 11/16		
-SLH-1500 -150								

Side Lock Holders

HSK / SLH Inch

Part Number	Type	dH _s	D	L	I	H	H _i	G		
HSK100A	1	-SLH-0250 - 75 -135	0.250	0.790	<u>2.953</u> 5.315	1.420	0.437	1/4-28x 1/4		
		-SLH-0313 - 75 -135	0.3125	0.870	<u>2.953</u> 5.315					
		-SLH-0375 - 90 -150	0.375	1.000	<u>3.543</u> 5.906	1.560	0.710	3/8-24x 5/16		
		-SLH-0438 -100 -165	0.4375	1.380	<u>3.937</u> 6.496					
		-SLH-0500 -105 -165	0.500		<u>4.134</u> 6.496	1.770	7/16-20x 3/8			
		-SLH-0625 -110 -165	0.625	1.650	<u>4.331</u> 6.496			1.890	0.700	—
		-SLH-0750 -110 -165	0.750	1.750	<u>4.331</u> 6.496					
		-SLH-0875 -110 -165	0.875	2.000	<u>4.331</u> 6.496	2.020	0.740	5/8-18x 1/2		
		-SLH-1000 -115 -165	1.000	2.360	<u>4.528</u> 6.496					
		-SLH-1250 -120 -165	1.250	2.650	<u>4.724</u> 6.496	2.270	0.860	3/4-16x 11/16		
		-SLH-1500 -120 -165	1.500	2.990	<u>4.724</u> 6.496					
		-SLH-2000 -135 -180	2	2.000	3.740	<u>5.315</u> 7.087	3.380	1.260	1.500	1-12x 7/8
		-SLH-2500 -135 -180		2.500	4.250	<u>5.315</u> 7.087				

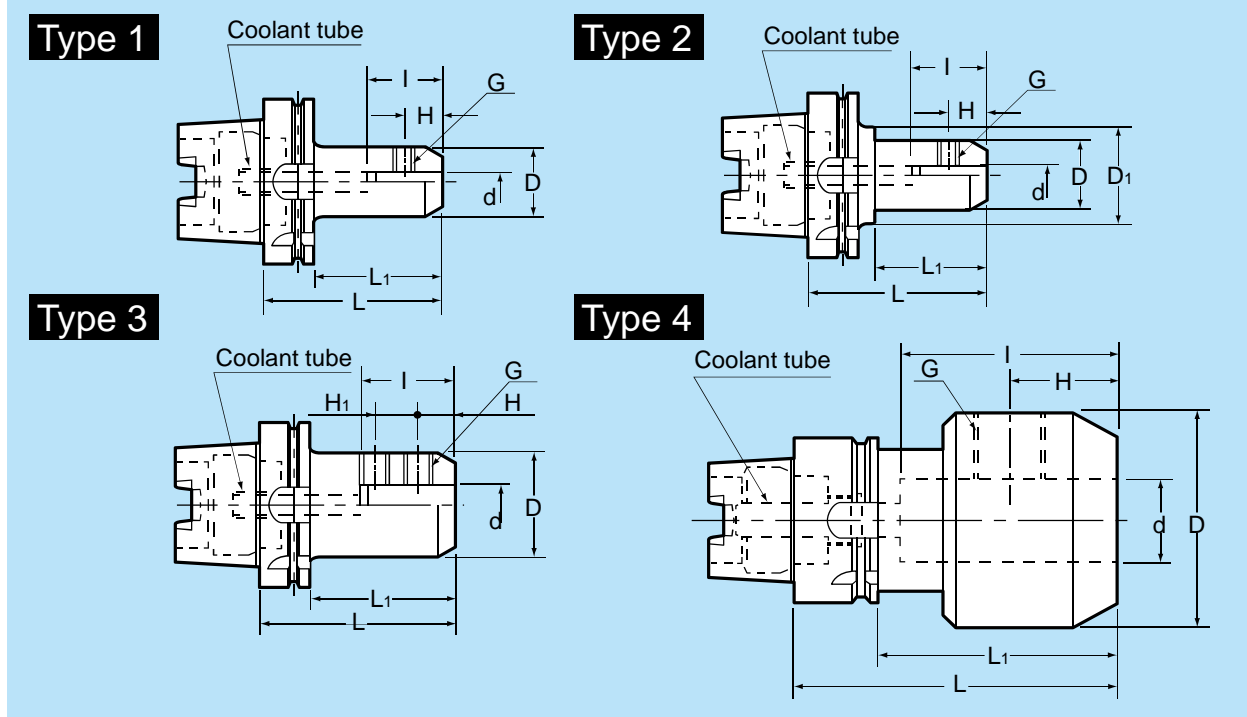
Ordering Example HSK63A-SLH-0500-95

- Coolant tube built-in.

Side Lock Holders HSK / SL 2 Metric

Feature

- Special anti-rust surface treatment
- H₆ I.D. tolerance



Part Number	Type	dH ₆ (mm)	D	D ₁	L	L ₁	H	H ₁	I	G (mm)	
HSK 40A	1	6	0.984							M 6	
		8	1.102		2.362	1.575	0.709		1.417	M 8	
	4	10	1.378					0.787		1.575	M10
		12						0.886		1.772	M12
		16	1.654		2.953	2.165	0.945		1.890	M14	
		20						0.984		1.969	M16
HSK 63A	1	8	1.102		3.150	2.126	0.709		1.417	M 8	
					5.906	4.882					
		10	1.378		3.543	2.520	0.787		1.575	M10	
					5.906	4.882					
	1	12	1.654		3.740	2.717	0.886		1.772	M12	
					5.906	4.882					
		16	1.890		3.937	2.913	0.945		1.890	M14	
					5.906	4.882					
		20	2.047		3.937	2.913	0.984		1.969	M16	
					5.906	4.882					
HSK100A	2	8	1.102		3.543	1.929	0.709		1.417	M 8	
					6.496	4.882					
		10	1.378	1.969	3.937	2.323	0.787		1.575	M10	
					6.496	4.882					
	1	12	1.654		4.134	2.992	0.886		1.772	M12	
					6.496	5.354					
		16	1.890		4.331	3.189	0.945		1.890	M14	
					6.496	5.354					
		20	2.047		4.331	3.189	0.984		1.969	M16	
					6.496	5.354					
	3	25	2.559		4.528	3.386		0.984	2.205	M18	
					6.496	5.354					
		32	2.835		4.724	3.583		1.102	2.362	M20	
					6.496	5.354					

Ordering Example

HSK63A-SL2-12-95

- Coolant tube built-in.