

# "R" Zero Setter

Runout setting table for "R" Zero holders

## SPZ

Page 33

Measurement range:  
0-11.811 in length  
(0 - 300mm)

Rotary holder support

Runout accuracy  
0~80μin



### Features

#### Runout accuracy

Less than 120μin at 7.874(200mm) is possible (HSK/KM type)

#### Rotary holder support incorporated

Available in CAT, BT, and HSK tapers.

#### Tool clamping device incorporated

Tool change can be done when the toolholder is pulled in (with 900-1750 lbf) and fixed.

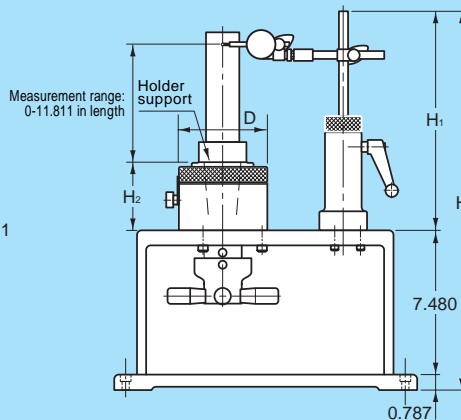
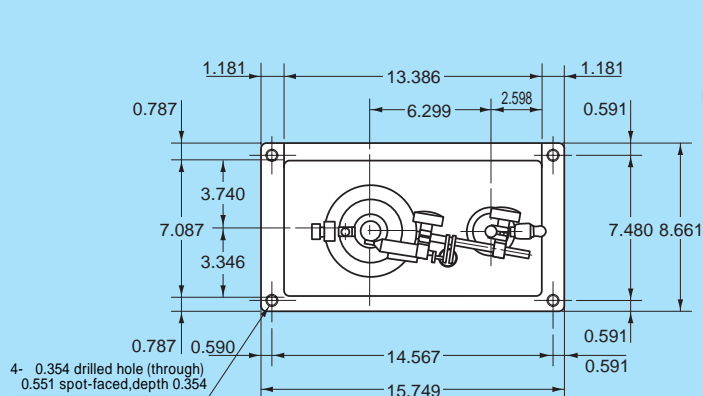
#### Affordable price

Lightweight and compact.  
Suitable for a worktable.  
Reasonable price.

Available with optional digital scale



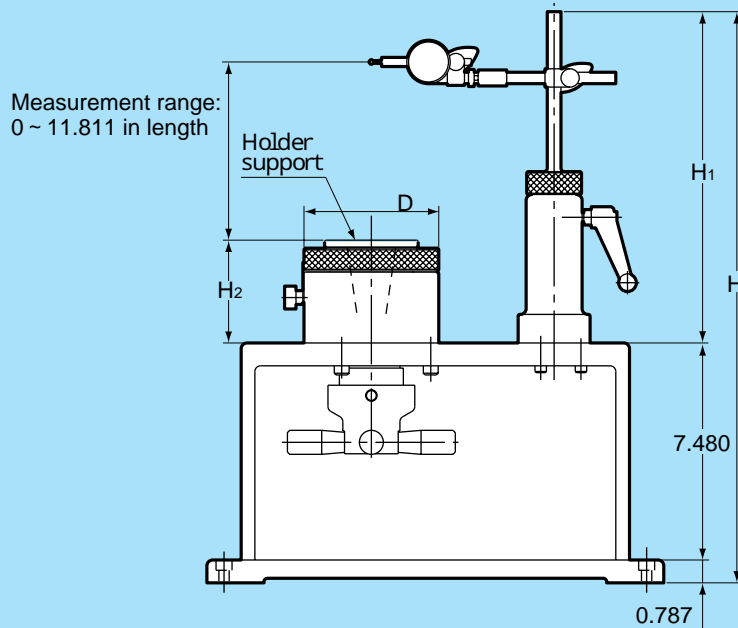
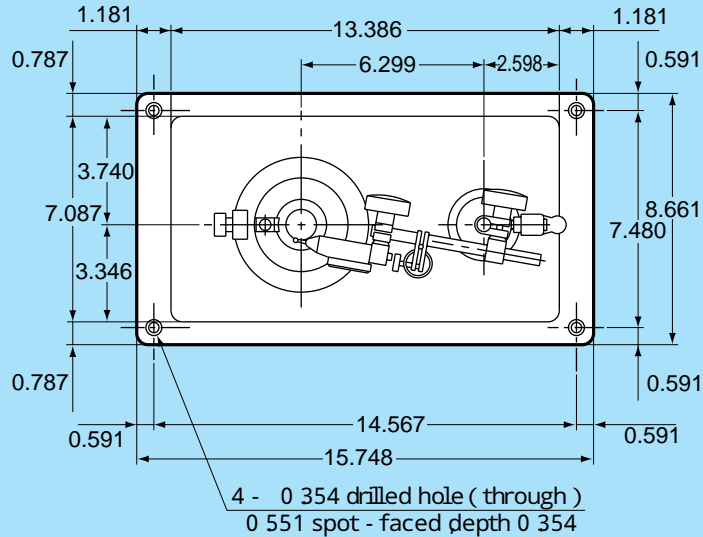
### Dimensions



Master Gauge bar sold separately.

Part Number	Holder support	D(mm)	H(mm)	H <sub>1</sub> (mm)	H <sub>2</sub> (mm)	Weight	Suitable pull stud bolt	
SPZ-	NT30-1	NT30	4.64( 118 )	19.68( 500 )	11.41( 290 )	3.54( 90 )	86lbs	BT : MAS MAS
	NT40-1	NT40	4.64( 118 )	19.68( 500 )	11.41( 290 )	3.54( 90 )	86lbs	
	NT50-1	NT50	6.22( 158 )	21.65( 550 )	13.38( 340 )	4.72( 120 )	101.4lbs	
	NT30-2	NT30	4.64( 118 )	19.68( 500 )	11.41( 290 )	3.54( 90 )	86lbs	BT : JIS SK : DIN
	NT40-2	NT40	4.64( 118 )	19.68( 500 )	11.41( 290 )	3.54( 90 )	86lbs	
	NT50-2	NT50	6.22( 158 )	21.65( 550 )	13.38( 340 )	4.72( 120 )	101.4lbs	
	NT40-3	CAT40	4.64( 118 )	19.68( 500 )	11.41( 290 )	3.54( 90 )	86lbs	CAT : ANSI
	NT50-3	CAT50	6.22( 158 )	21.65( 550 )	13.38( 340 )	4.72( 120 )	101.4lbs	
	HSK40	HSK40A, HSK40C	4.64( 118 )	19.68( 500 )	11.41( 290 )	3.54( 90 )	88.2lbs	
	HSK63	HSK63A, HSK63C	4.64( 118 )	19.68( 500 )	11.41( 290 )	3.54( 90 )	86lbs	
HSK100	HSK100A, HSK100C	6.22( 158 )	21.65( 550 )	13.38( 340 )	4.72( 120 )	101.4lbs		

# "R" Zero Setter SPZ



Master shank is not included. Order separately.

Part Number	Holder support	D ( mm )	H ( mm )	H <sub>1</sub> ( mm )	H <sub>2</sub> ( mm )	Weight	Suitable pull stud bolt
NT30-1	NT30	4.646( 118 )	19.685( 500 )	11.417( 290 )	3.543( 90 )	86lbs	BT:MAS BT:MAS
NT40-1	NT40	4.646( 118 )	19.685( 500 )	11.417( 290 )	3.543( 90 )	86lbs	
NT50-1	NT50	6.220( 158 )	21.654( 550 )	13.386( 340 )	4.724( 120 )	101.4lbs	
NT30-2	NT30	4.646( 118 )	19.685( 500 )	11.417( 290 )	3.543( 90 )	86lbs	BT:JIS SK:DIN
NT40-2	NT40	4.646( 118 )	19.685( 500 )	11.417( 290 )	3.543( 90 )	86lbs	
NT50-2	NT50	6.220( 158 )	21.654( 550 )	13.386( 340 )	4.724( 120 )	101.4lbs	
NT40-3	CAT40	4.646( 118 )	19.685( 500 )	11.417( 290 )	3.543( 90 )	86lbs	CAT:ANSI
NT50-3	CAT50	6.220( 158 )	21.654( 550 )	13.386( 340 )	4.724( 120 )	101.4lbs	
HSK 40	HSK 40A, HSK 40C	4.646( 118 )	19.685( 500 )	11.417( 290 )	3.543( 90 )	88.2lbs	
HSK 63	HSK 63A, HSK 63C	4.646( 118 )	19.685( 500 )	11.417( 290 )	3.543( 90 )	86lbs	
HSK100	HSK100A, HSK100C	6.220( 158 )	21.654( 550 )	13.386( 340 )	4.724( 120 )	101.4lbs	

Ordering Example    SPZ-NT40-2