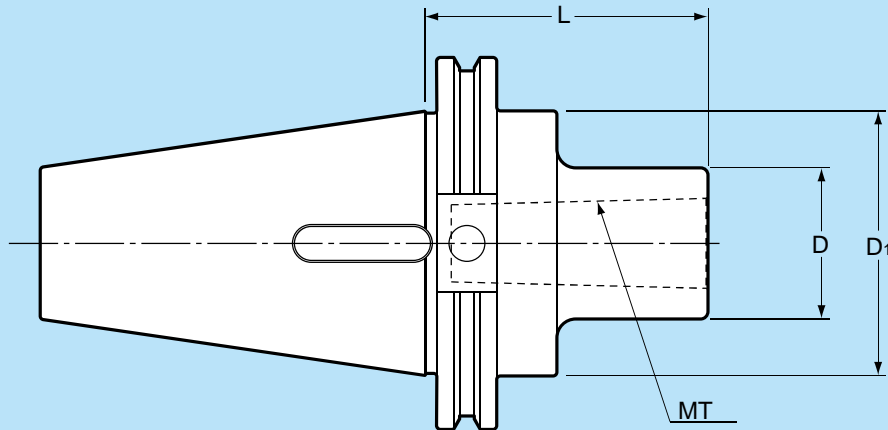


Morse Taper Adapters CAT / MTA

Feature Special anti-rust surface treatment



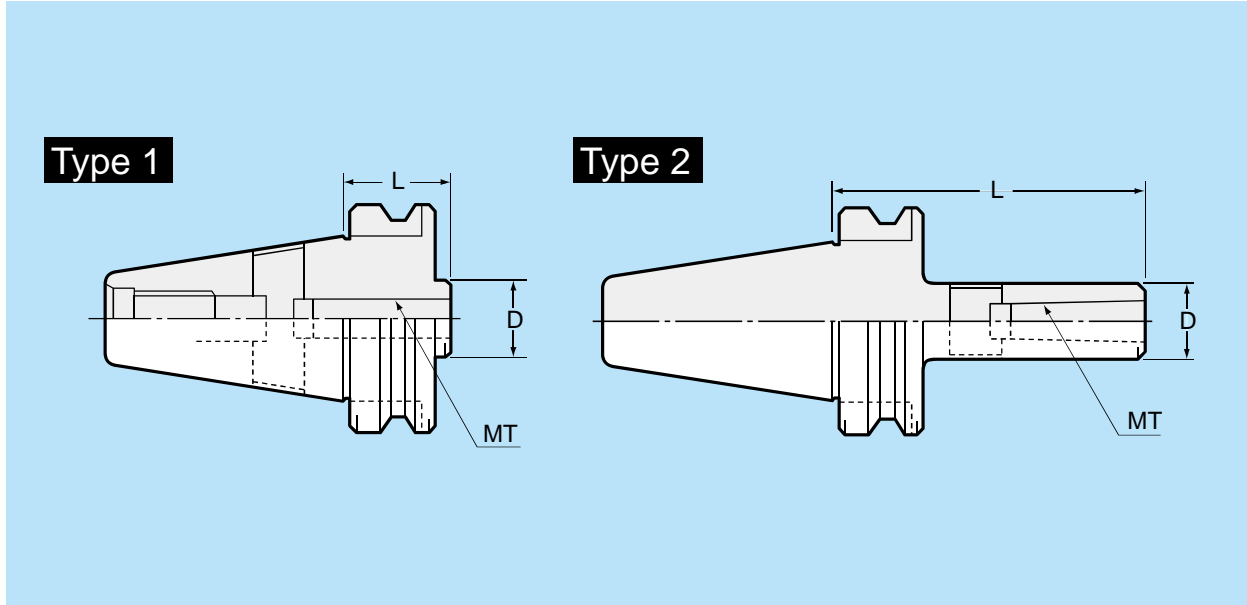
Part Number	MT	L	D	D ₁
CAT40	MTA1- 45	1	1.770	1.750
	MTA2- 60	2	2.360	
	MTA3- 75	3	3.000	
	MTA4- 90	4	3.540	
CAT50	MTA2- 60	2	2.360	2.750
	MTA3- 75	3	3.000	
	MTA4- 90	4	3.540	
	MTA5-105	5	4.130	

Ordering Example CAT40-MTA1-45

Morse Taper Adapters BT / MTA

Feature

Special anti-rust surface treatment



Part Number		Type	MT	L	D
BT30	-MTA1 - 45	1	1	1.772	0.984
	-MTA2 - 60		2	2.362	
BT40	-MTA1 - 45	1	1	1.772	0.984
	-MTA1 - 120	2	1	4.724	
	-MTA2 - 45	1	2	1.772	1.260
	-MTA2 - 120	2	2	4.724	
	-MTA3 - 75	1	3	2.953	1.575
	-MTA3 - 135	2	3	5.315	
-MTA4 - 90	1	4	3.543	1.969	
-MTA4 - 165	2	4	6.496		
BT50	-MTA2 - 45	1	2	1.772	1.260
	-MTA2 - 135	2	2	5.315	
	-MTA2 - 180	2	2	7.087	
	-MTA3 - 45	1	3	1.772	1.575
	-MTA3 - 150	2	3	5.906	
	-MTA3 - 180	2	3	7.087	
	-MTA4 - 75	1	4	2.953	1.969
	-MTA4 - 180	2	4	7.087	
-MTA5 - 105	1	5	4.134	2.559	
-MTA5 - 210	2	5	8.268		

Ordering Example BT40-MTA1-45