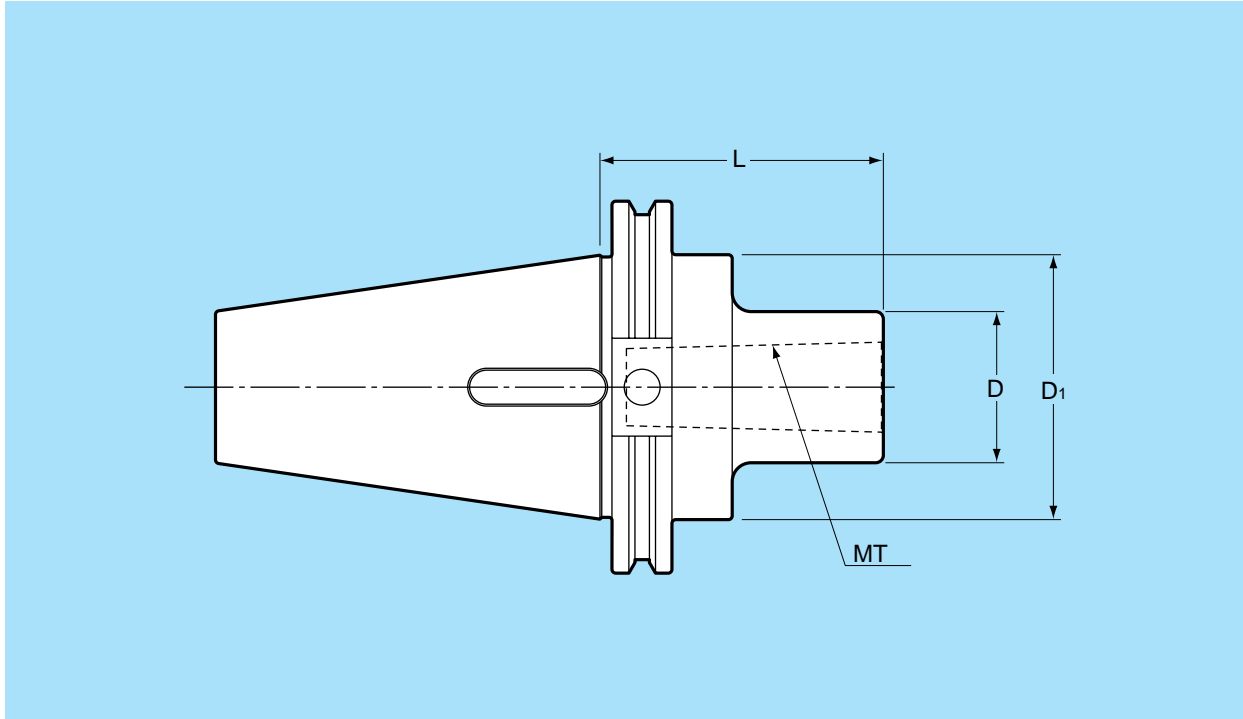


Morse Taper Adapters CAT / MTA

Feature

Special Anti-rust surface treatment



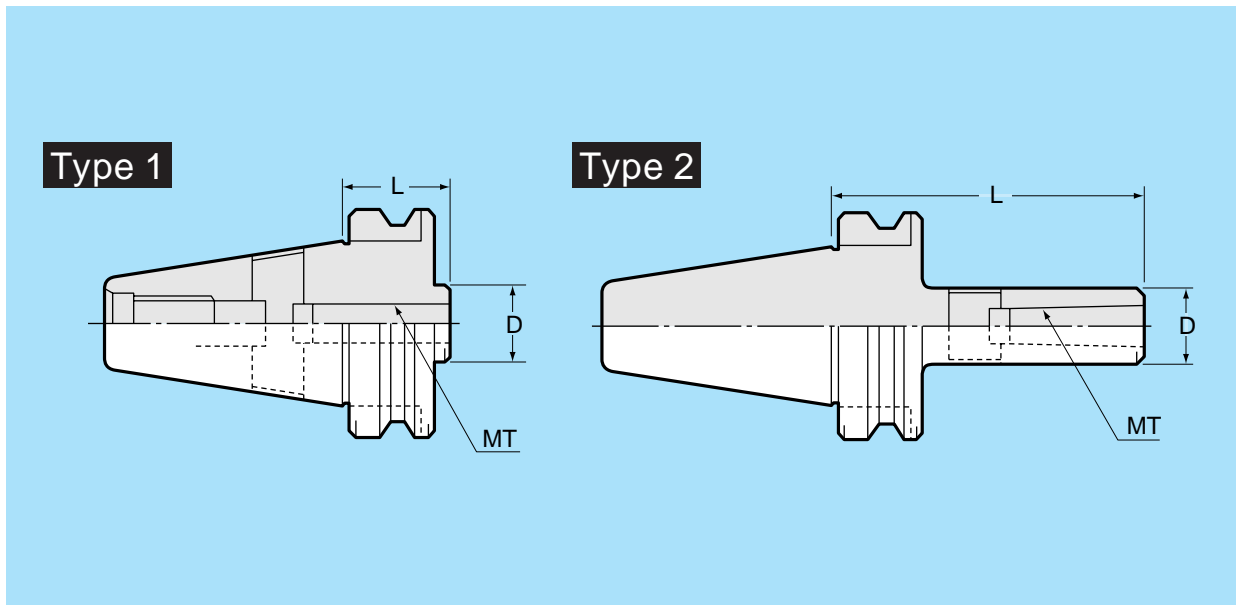
Part Number	MT	L	D	D ₁
CAT 40	MTA1- 45	1	1.770	1.000
	MTA2- 60	2	2.360	1.260
	MTA3- 75	3	3.000	1.570
	MTA4- 90	4	3.540	1.970
CAT 50	MTA2- 60	2	2.360	1.260
	MTA3- 75	3	3.000	1.570
	MTA4- 90	4	3.540	1.970
	MTA5-105	5	4.130	2.760

Ordering Example CAT40-MTA1-45

Morse Taper Adapters BT / MTA

Feature

Special Anti-rust surface treatment



Part Number		Type	MT	L	D
BT 30	-MTA1 - 45	1	1	1.772	0.984
	-MTA2 - 60		2	2.362	1.260
BT 40	-MTA1 - 45	1	1	1.772	0.984
	-MTA1 - 120	2		4.724	
	-MTA2 - 45	1	2	1.772	1.260
	-MTA2 - 120	2		4.724	
	-MTA3 - 75	1	3	2.953	1.575
	-MTA3 - 135	2		5.315	
BT 50	-MTA4 - 90	1	4	3.543	1.969
	-MTA4 - 165	2		6.496	
	-MTA2 - 45	1		1.772	
	-MTA2 - 135	2	2	5.315	1.260
	-MTA2 - 180			7.087	
	-MTA3 - 45	1	3	1.772	1.575
	-MTA3 - 150	2		5.906	
	-MTA3 - 180		7.087		
	-MTA4 - 75	1	4	2.953	1.969
	-MTA4 - 180	2		7.087	
-MTA5 - 105	1	5	4.134	2.559	
-MTA5 - 210	2		8.268		

Ordering Example BT40-MTA1-45