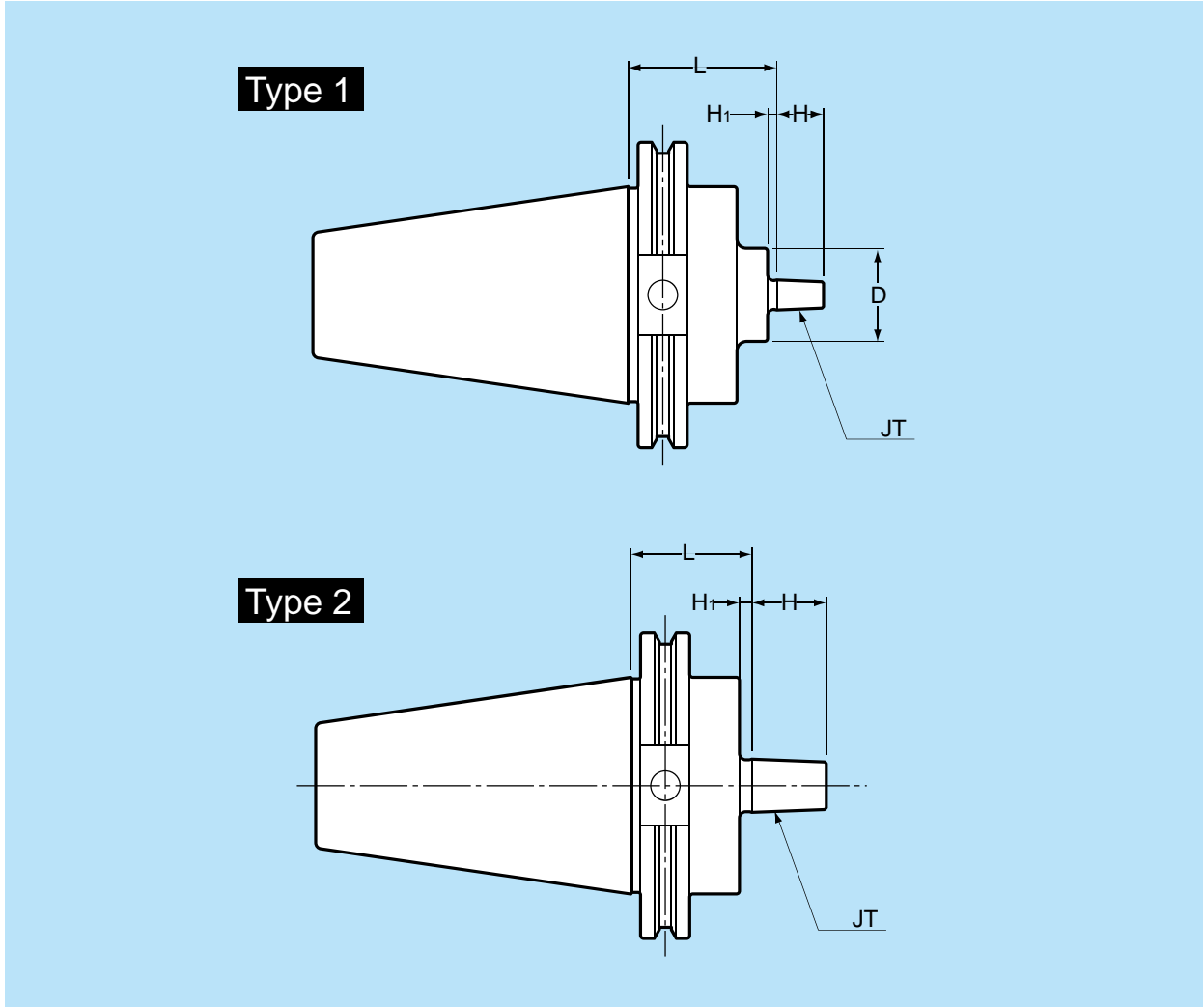


# Jacobs Taper Arbors CAT / JTA

**Feature**

Special anti-rust surface treatment



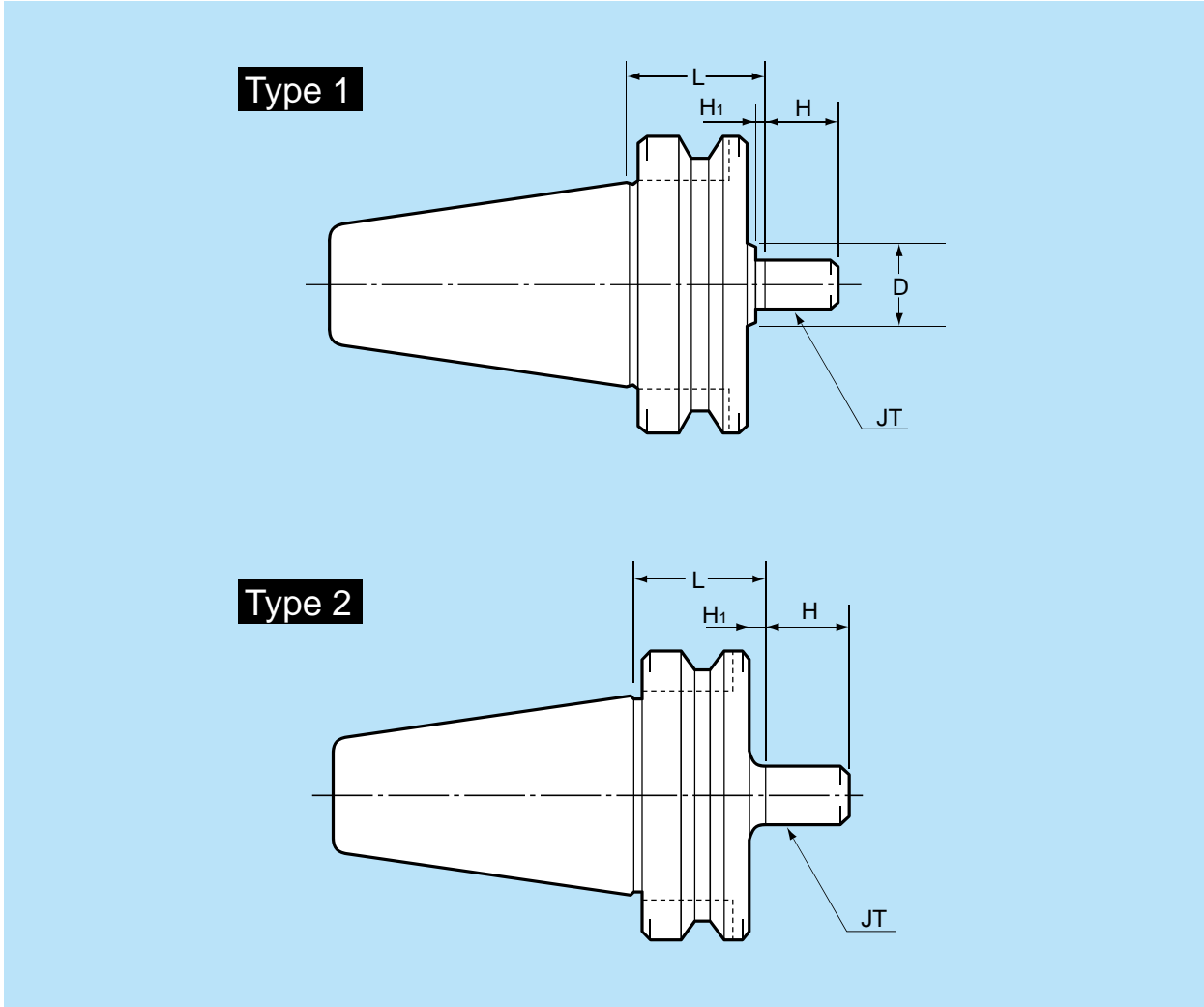
Part Number	Type	JT	L	D	H	H <sub>1</sub>	
CAT40	-JTA 2 -45	2	1.772	1.181	0.787	0.157	
	-JTA33 -45	33			0.945		
	-JTA 6 -45	6			1.378		1.102
	-JTA 3 -45	3			—		0.197
CAT50	-JTA 2 -45	2	1.772	1.181	0.787	0.157	
	-JTA33 -45	33			0.945		
	-JTA 6 -45	6			—		1.102
	-JTA 3 -45	2			3		0.276

Ordering Example

CAT40-JTA2-45

# Jacobs Taper Arbors BT / JTA

**Feature** Special anti-rust surface treatment



Part Number	Type	JT	L	D	H	H <sub>1</sub>
BT30	-JTA 1 -30	1	1.181	1.181	0.591	0.118
	-JTA 2 -30	2			0.787	0.157
	-JTA33 -30	33			0.945	
BT40	-JTA 1 -45	1	1.772	1.181	0.591	0.118
	-JTA 2 -45	2			0.787	0.157
	-JTA33 -45	33			0.945	
	-JTA 6 -45	6				
	-JTA 3 -45	3			1.378	1.102
BT50	-JTA 2 -45	2	1.772	1.181	0.787	
	-JTA33 -45	33			0.945	0.157
	-JTA 6 -45	6				
	-JTA 3 -45	2			—	1.102

**Ordering Example** BT40-JTA2-45