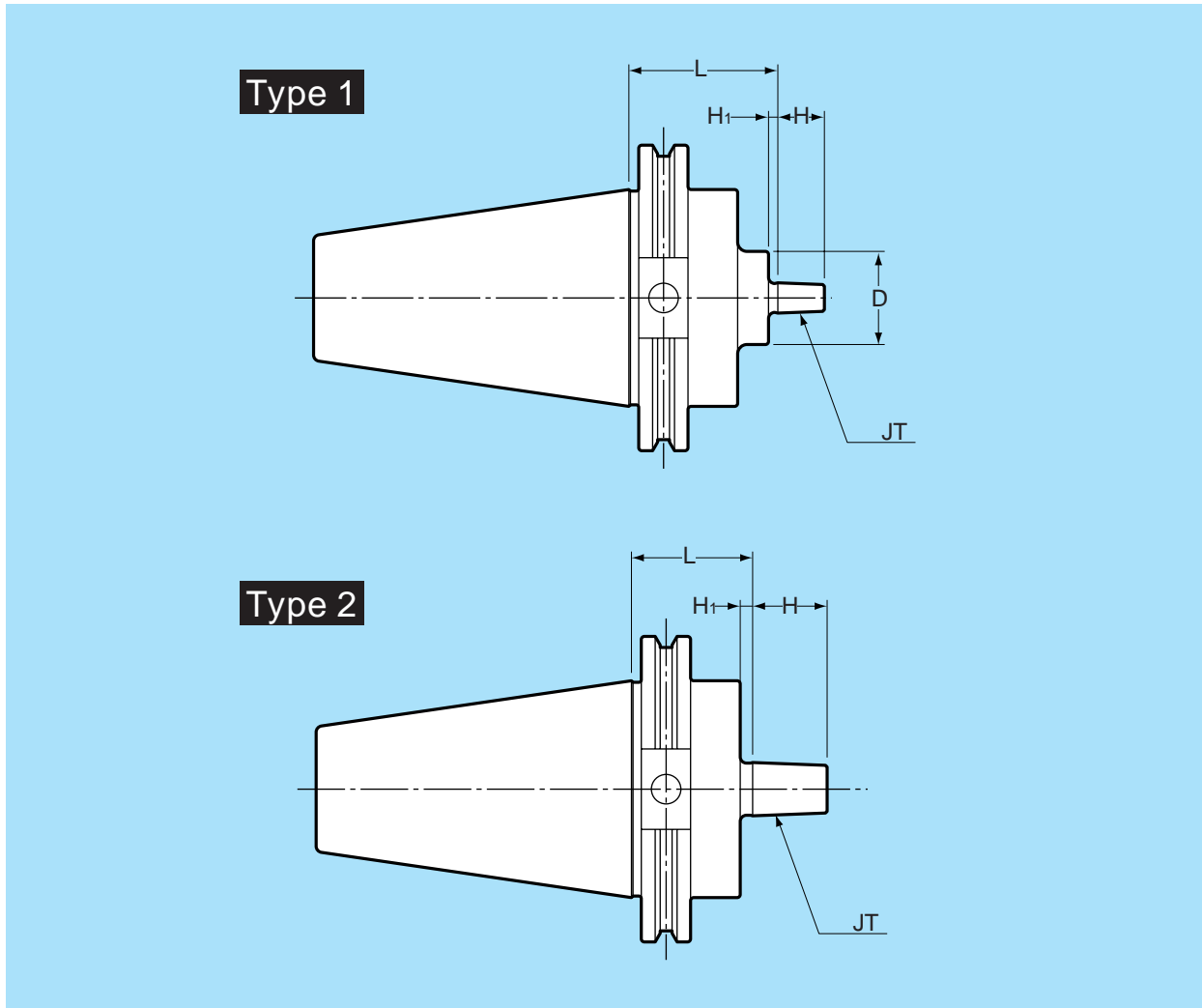


Jacobs Taper Arbors CAT / JTA

Feature

Special Anti-rust surface treatment



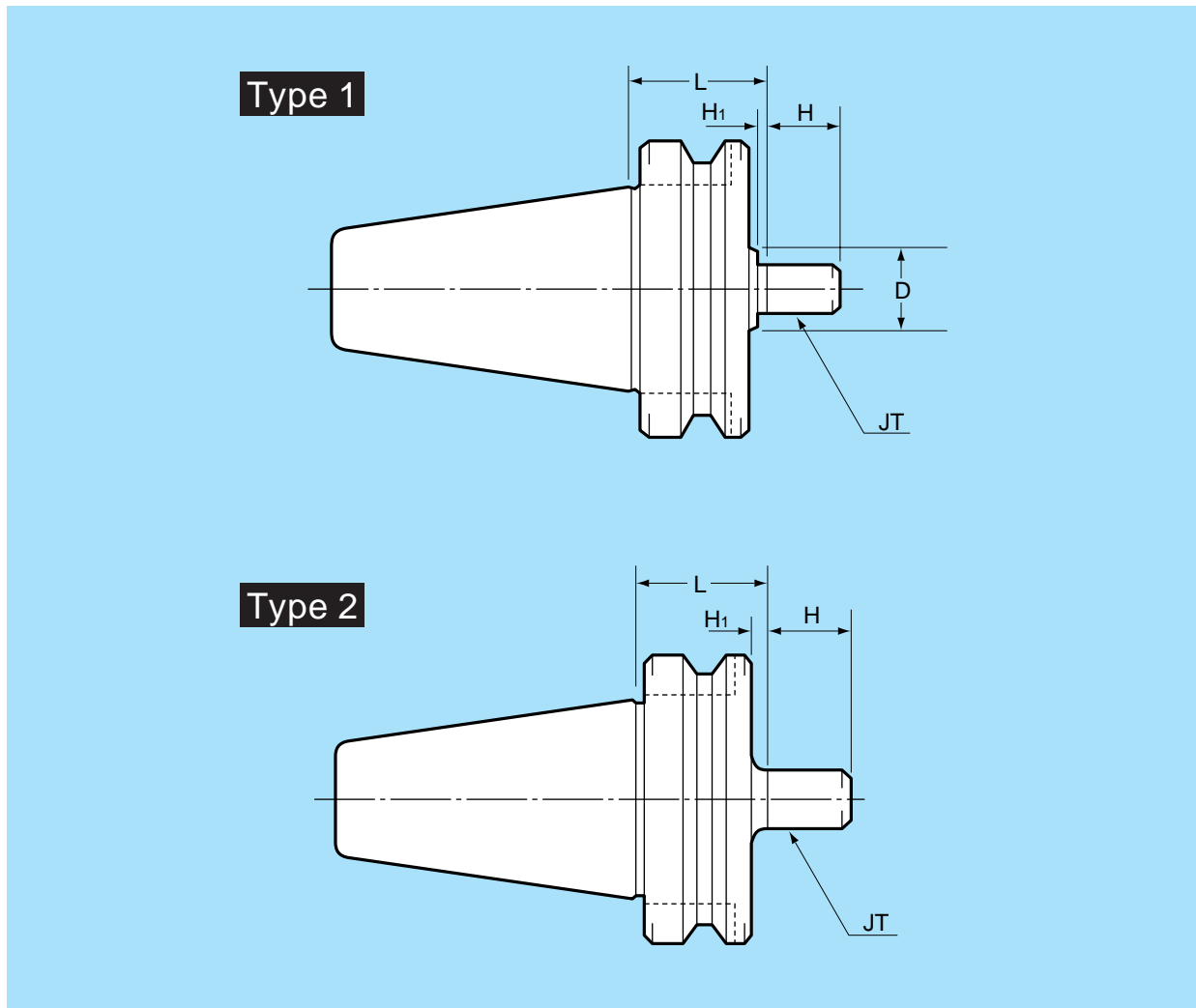
Part Number	Type	JT	L	D	H	H ₁	
CAT 40	-JTA 2 -45	2	1.772	1.181	0.787	0.157	
	-JTA33 -45	33			0.945		
	-JTA 6 -45	6			1.378		1.102
	-JTA 3 -45	3			0.197		
CAT 50	-JTA 2 -45	2	1.772	1.181	0.787	0.157	
	-JTA33 -45	33			0.945		
	-JTA 6 -45	6			1.102		0.276
	-JTA 3 -45	3			0.197		

Ordering Example CAT40-JTA2-45

Jacobs Taper Arbors BT / JTA

Feature

Special Anti-rust surface treatment



Part Number	Type	JT	L	D	H	H ₁
BT 30	-JTA 1 -30	1	1.181	1.181	0.591	0.118
	-JTA 2 -30	2			0.787	0.157
	-JTA33 -30	33			0.945	
BT 40	-JTA 1 -45	1	1.772	1.181	0.591	0.118
	-JTA 2 -45	2			0.787	0.157
	-JTA33 -45	33			0.945	
	-JTA 6 -45	6				
BT 50	-JTA 3 -45	3	1.772	1.378	1.102	0.197
	-JTA 2 -45	2		1.181	0.787	0.157
	-JTA33 -45	33			0.945	
	-JTA 6 -45	6				
	-JTA 3 -45	3			1.102	0.276

Ordering Example BT40-JTA2-45