



# Shrink Fit Heating System IH3200-N



Model	IH3200-N
Code	3064 00001200
Dimension	L500xW600xH915
Output	10kW
Chucking range	φ6.0 - 32.0mm
Max.projection length	410mm
Weight	43kg
Air pressure	0.6 - 1.0MPa
Power supply	3x400V

1. Connecting air hose (O.D.=6.0mm/I.D.=4.0mm) should be prepared.
2. Air filters and lubricators should be used in case there is much moisture in the compressed air.
3. Magnetic induction heating device has a plug for a transformer (cable length=2m).

## Included Accessories

Item	Model	Specifications
Changing Disk ISGS3201-0 - 3 	ISGS3201-0	Tool shank diameter φ3.0-6.0mm (Tool holders must be made specially.)
	ISGS3201-1	Tool shank diameter φ6.0-12.0mm
	ISGS3201-2	Tool shank diameter φ12.1-20.0mm
	ISGS3201-3	Tool shank diameter φ20.1-32.0mm
Magnetic Coil 	ISGS3200-1	For the O.D. 53.0mm and less chucks. (SRD32 can be used. SRK32 cannot be used.)
Heat-resistant Gloves * Be sure to use the glove when changing tools. Risk of burn while holder is still hot.		

1. Included coil cannot be used for O.D. 53.0mm and above chucks.  
Please select a suitable magnetic coil (See table in P108).
2. When heating up slim type chucks "SRS", use a coil stopper (See table in P108).

# Shrink Fit Heating System IH3200-N Accessories

## Transformer IHTR3200-N (option)



In case power supply is 200V, this Transformer is necessary to boost inlet voltage up to 400V.



Model / Code	IHTR3200-N (3064 00001400)
Dimension	L500×W665×H535
Weight	100kg
Inlet	3×200V 33.6A
Outlet	3×400V (for Magnetic Induction Heating Device) 230V (Single phase) (for Cooling Device)

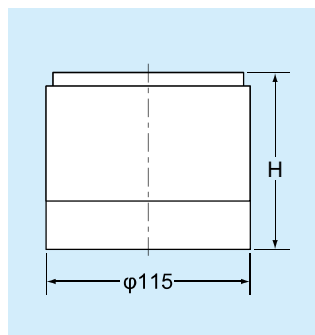
Supply 200V, 33.6A to the connector (200V).  
\*Electric code is not included.

## Accessory (option)

Item	Model	Application
Magnetic Coil 	ISGS3200-2	<ul style="list-style-type: none"> <li>For O.D. <math>\phi</math>53.0 - 80.0mm special chucks.</li> </ul>
Coil Stopper 	ISGF3200	<ul style="list-style-type: none"> <li>Positioning block for large diameter.</li> <li>For SRS shrinker chuck.</li> </ul>

\*As for SRS or special shrink fit, heating time must be set individually.

## Holder support (option)



Model	H	kg	
SRK-SPH	-BT30	107	1.3
	-BT40		
	-BT50	147	1.5
	-HSK32		
	-HSK40	107	1.3
	-HSK50		
	-HSK63		
	-HSK80		
-HSK100			

# Shrink Fit Heating System IH3200-N Accessories

## Cooling device set SRK-C3A

Cooling device with water-circulating system. Rapid cooldown within 60 seconds

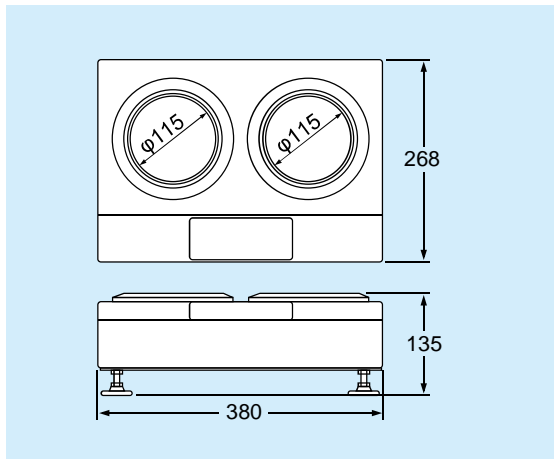
Item	Model	Remark	
Cooling Device Cooling Adapter	SRK-C3A	Dimensions / Weight	L565xW440xH345 / 42kg
		Inlet	230V single phase (1m)
Cooling Insert	SRK-CN6-8	for SRD $\phi$ 6.0-8.0mm	
	SRK-CN10-12	for SRD $\phi$ 10.0-12.0mm	
	SRK-CN14-16	for SRD $\phi$ 14.0-16.0mm	
	SRK-CN18-20	for SRD $\phi$ 18.0-20.0mm	
	SRK-CN25-32	for SRD $\phi$ 25.0-32.0mm	

•Cooling insert for SRS or SRE are sold separately.

## Cooling device SRK-C2



Inexpensive cooling device.  
Two chucks can be cooled at the same time.



Model	SRK-C2
Code	3064 00000210
Dimension	L380xW268xH135
Cooling Mode	Blow by fan
Power supply	Single phase 100 - 230V 50/60Hz
Rated Amp.	1A
Power Cord	2m (without wall socket)
Weight	5.5kg