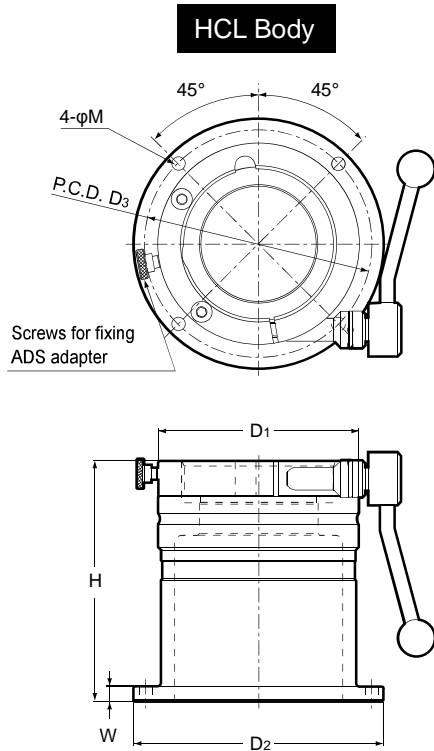
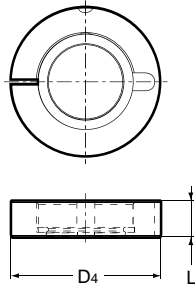


HSK Tightning Fixture HCL



ADS Adapter



Body only



Body + Adapter



• All dimensions shown in millimeters.

Application / Feature

1. Suitable for tightening milling chucks or collet chucks.
2. All types of HSK (A - F) can be clamped.
3. With ADS adapters, various different shanks can be clamped.
4. Tool holder can be clamped by turning the clamp lever only. The clamp lever can be turned in either direction.
5. Protection sheet prevents damages to taper or flange face of HSK shank.

Body

Model	Shank size	D1	H	D2	D3	W	M	kg	Adapter
HCL	-63	98	162	131	115	10	(For M8)	4.6	ADS-63 **
	-100	135		168	152			7.0	ADS-100 **

* Not for tool presetting length measurement.

* Fixing bolts (4pcs) for installing to surface plate or work table are NOT included.

Adapter

Model	Shank size	D4	L	kg	Body
ADS	-6325	63	24.2	0.5	HCL-63
	-6332			0.4	
	-6340			0.3	
	-6350			0.2	
	-10063	100		0.9	HCL-100
	-10080			0.6	

Ordering Example

Body
HCL-63

Adapter
ADS-6350