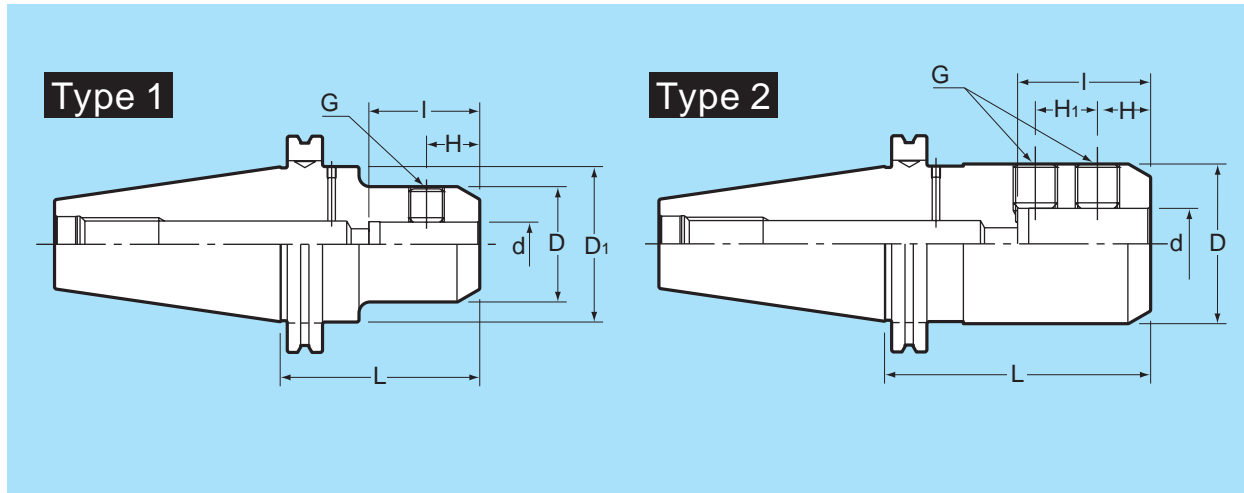


Side Lock Holders

CAT / SL 2 Metric

Feature

Special Anti-rust surface treatment
H₆ I.D. tolerance



Part Number	Type	dH ₆ (mm)	D	D ₁	L	H	H ₁	I	G (mm)
CAT 40	1	-SL2- 6- 75	6	0.984	1.750	2.953	0.709	1.417	M 6
		-SL2- 8- 75	8	1.102					M 8
		-SL2-10- 75	10	1.378					M10
		-SL2-12- 75	12	1.654					M12
		-SL2-16- 75	16	1.890					M14
		-SL2-20- 75	20	2.047					M16
	2	-SL2-25- 90	25	2.559	3.543	0.945	0.984	2.205	M18
		-SL2-32-120	32	2.835	4.724	1.102	2.362	M20	
CAT 50	1	-SL2- 6- 90	6	0.984	2.750	3.543	0.709	1.417	M 6
		-SL2- 8- 90	8	1.102					M 8
		-SL2-10- 90	10	1.378					M10
		-SL2-12- 90	12	1.654					M12
		-SL2-16- 90	16	1.890					M14
		-SL2-20- 90	20	2.047					M16
	2	-SL2-25-105	25	2.559	4.134	0.945	0.984	2.205	M18
		-SL2-32-120	32	2.835	4.724	1.181	1.260	2.756	M20
		-SL2-40-120	40	3.150					
		-SL2-42-120	42	3.228					

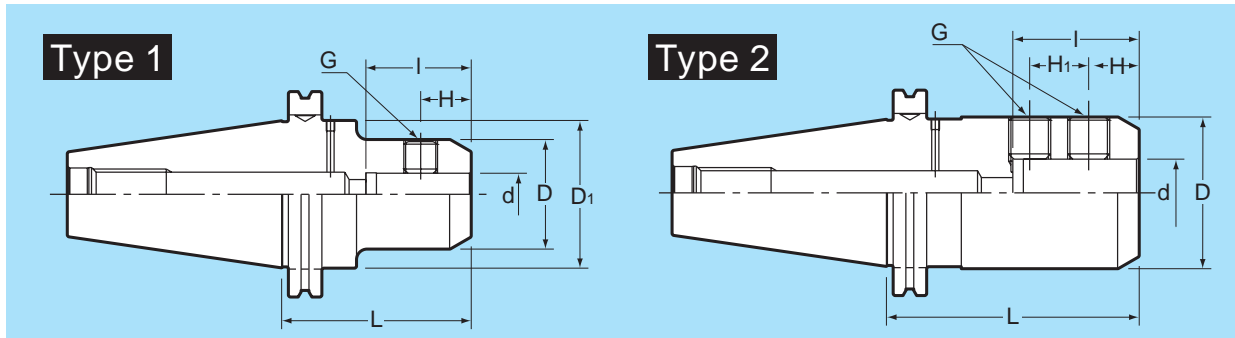
Ordering Example CAT40-SL2-12-75

Side Lock Holders

CAT / SLH Inch

Feature

Special Anti-rust surface treatment
H6 I.D. tolerance



Part Number	Type	dH6	D	L	I	H	H1	D1	G	
CAT40	1	- SLH-0250 - 65	0.250	0.790	2.559		0.437		1/4-28 x 1/4	
		- SLH-0250 - 105								4.134
		- SLH-0313 - 65	0.3125	0.870	2.559					5/16-24 x 1/4
		- SLH-0375 - 65	0.375	1.000	2.559	3.000				3/8-24 x 5/16
		- SLH-0438 - 65	0.4375	1.380	2.559			0.710	1.750	7/16-20 x 3/8
		- SLH-0500 - 65	0.500	1.380	2.559					
		- SLH-0625 - 65	0.625	1.650	2.559	3.150	0.700			9/16-18 x 1/2
- SLH-0750 - 65	0.750	1.750	2.559	3.976	0.740			5/8-18 x 1/2		
									- SLH-0750 - 105	4.134
- SLH-0875 - 90	0.875	2.000	3.543	4.331						
									- SLH-0875 - 135	5.315
- SLH-1000 - 90	1.000	2.360	3.543	3.543	0.860			3/4-16 x 11/16		
									- SLH-1000 - 135	5.315
- SLH-1250 - 135	1.250	2.650	5.315	3.543						
									- SLH-1250 - 165	6.496
- SLH-1500 - 135	1.500	2.990	5.315	3.543	1.181					
									- SLH-1500 - 165	6.496
CAT50	1	- SLH-0250 - 90	0.250	0.790	3.543		0.437		1/4-28 x 1/4	
		- SLH-0250 - 135								5.315
		- SLH-0313 - 90	0.3125	0.870	3.543					5/16-24 x 1/4
		- SLH-0375 - 90	0.375	1.000	3.543	3.000				3/8-24 x 5/16
		- SLH-0438 - 90	0.4375	1.380	3.543		0.710			7/16-20 x 3/8
		- SLH-0500 - 90	0.500	1.380	3.543				2.750	
		- SLH-0625 - 90	0.625	1.650	3.543	3.150	0.700			9/16-18 x 1/2
- SLH-0750 - 90	0.750	1.750	3.543	3.976	0.740			5/8-18 x 1/2		
									- SLH-0750 - 135	5.315
- SLH-0875 - 90	0.875	2.000	3.543	4.331						
									- SLH-0875 - 135	5.315
- SLH-1000 - 105	1.000	2.360	4.134			0.860		3/4-16 x 11/16		
									- SLH-1000 - 150	5.906
- SLH-1250 - 105	1.250	2.650	4.134		4.843					
									- SLH-1250 - 150	5.906
- SLH-1500 - 105	1.500	2.990	4.134		1.181					
									- SLH-1500 - 150	5.906
- SLH-2000 - 135	2.000	3.740	5.315		1.260	1.500		1-12 x 7/8		
- SLH-2000 - 165			6.496							

Ordering Example

CAT40-SLH-0500-105

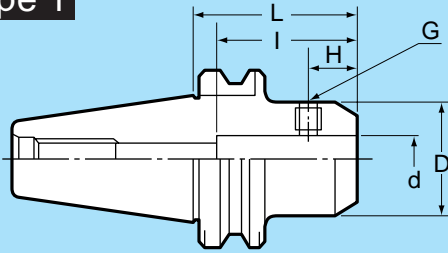
Side Lock Holders

BT / SL 2 Metric

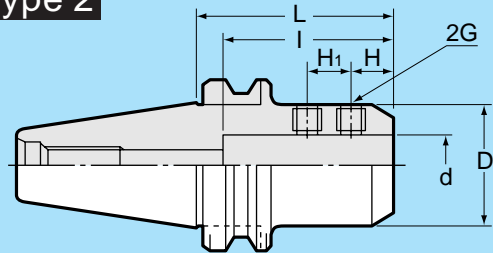
Feature

Special Anti-rust surface treatment
H₆ I.D. tolerance

Type 1



Type 2



Part Number	Type	d H ₆ (mm)	D	L	H	H ₁	I	G (mm)
BT 30	1	-SL2- 6- 60	0.984	2.362	0.709		1.417	M 6
		-SL2- 8- 60	1.102					M 8
		-SL2-10- 60	1.378					M10
		-SL2-12- 60	1.654	3.543	0.945		1.890	M12
		-SL2-16- 90	1.890					M14
		-SL2-20- 90	2.047					0.984
BT 40	1	-SL2- 6- 75	0.984	2.953	0.709		1.417	M 6
		-SL2- 8- 75	1.102					M 8
		-SL2-10- 75	1.378					M10
		-SL2-12- 75	1.654	3.543	0.945		1.890	M12
		-SL2-16- 75	1.890					M14
		-SL2-20- 75	2.047					0.984
	-SL2-25- 90	2.559	3.543	0.945	0.984	2.205	M18	
	-SL2-32-120	2.835	4.724	0.945	1.102	2.362	M20	
BT 50	1	-SL2- 6- 90	0.984	3.543	0.709		1.417	M 6
		-SL2- 8- 90	1.102					M 8
		-SL2-10- 90	1.378					M10
		-SL2-12- 90	1.654	4.134	0.945		1.890	M12
		-SL2-16- 90	1.890					M14
		-SL2-20- 90	2.047					0.984
	-SL2-25-105	2.559	4.134	0.945	0.984	2.205	M18	
	-SL2-32-120	2.835	4.724	1.181	1.260	2.756		M20
	-SL2-40-120	3.150						
	-SL2-42-120	3.228						

Ordering Example BT40-SL2-12-75

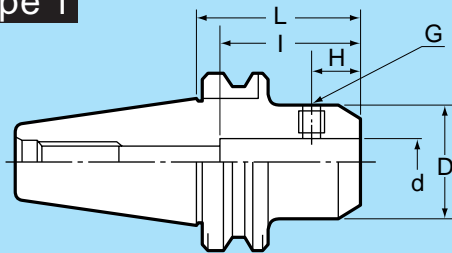
Side Lock Holders

BT / SLH Inch

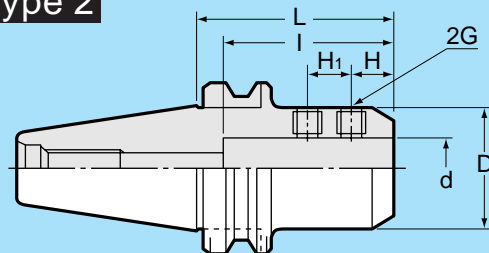
Feature

Special Anti-rust surface treatment
H₆ I.D. tolerance

Type 1



Type 2



Part Number	Type	dH ₆	D	L	I	H	H ₁	G
BT 30	1	-SLH-0250 - 60	0.250	0.790	2.362		0.437	1/4-28 x 1/4
		-SLH-0250 -105			4.134			
		-SLH-0313 - 60	0.3125	0.870	2.362			5/16-24 x 1/4
		-SLH-0313 -105			4.134			
		-SLH-0375 - 60	0.375	1.000	2.362	3.000		3/8-24 x 5/16
		-SLH-0375 -105			4.134			
		-SLH-0438 - 60	0.4375	1.380	2.362		0.710	7/16-20 x 3/8
		-SLH-0438 -105			4.134			
		-SLH-0500 - 60	0.500		2.362			
		-SLH-0500 -105			4.134			
-SLH-0625 - 60	0.625	1.650	2.362	3.150	0.700	9/16-18 x 1/2		
-SLH-0625 -105			4.134					
-SLH-0750 - 90	0.750	1.750	3.543	3.976	0.740	5/8-18 x 1/2		
-SLH-0750 -120			4.724					
-SLH-0875 - 90	0.875	2.000	3.543	3.453				
-SLH-0875 -120			4.724					
BT 40	1	-SLH-0250 - 75	0.250	0.790	2.953		0.437	1/4-28 x 1/4
		-SLH-0250 -105			4.134			
		-SLH-0313 - 75	0.3125	0.870	2.953			5/16-24 x 1/4
		-SLH-0313 -105			4.134			
		-SLH-0375 - 75	0.375	1.000	2.953	3.000		3/8-24 x 5/16
		-SLH-0375 -105			4.134			
		-SLH-0438 - 75	0.4375	1.380	2.953		0.710	7/16-20 x 3/8
		-SLH-0438 -105			4.134			
		-SLH-0500 - 75	0.500		2.953			
		-SLH-0500 -105			4.134			
		-SLH-0625 - 75	0.625	1.650	2.953	3.150	0.700	9/16-18 x 1/2
		-SLH-0625 -105			4.134			
		-SLH-0750 - 75	0.750	1.750	2.953	3.976	0.740	5/8-18 x 1/2
		-SLH-0750 -105			4.134			
		-SLH-0875 - 90	0.875	2.000	3.543	4.331		
-SLH-0875 -135	5.315							
-SLH-1000 - 90	1.000	2.360	3.543	3.543	0.860	3/4-16 x 11/16		
-SLH-1000 -135			5.315					
-SLH-1250 - 90	1.250	2.650	3.543	3.543				
-SLH-1250 -135			5.315					
-SLH-1500 - 105	1.500	2.990	4.134	3.543	1.181			
-SLH-1500 -150			5.906					

Side Lock Holders

BT / SLH Inch

Part Number	Type	dH ₆	D	L	I	H	H ₁	G	
BT 50	1	-SLH-0250 - 90	0.250	0.790	3.543		0.437	1/4-28 x 1/4	
		-SLH-0250 -135							
		-SLH-0313 - 90	0.3125	0.870	3.543			5/16-24 x 1/4	
		-SLH-0313 -135							
		-SLH-0375 - 90	0.375	1.000	3.543	3.000		3/8-24 x 5/16	
		-SLH-0375 -135							
		-SLH-0438 - 90	0.4375	1.380	3.543		0.710	7/16-20 x 3/8	
		-SLH-0438 -135							
		-SLH-0500 - 90	0.500	1.380	3.543				
		-SLH-0500 -135							
		-SLH-0625 - 90	0.625	1.650	3.543	3.150	0.700	-	9/16-18 x 1/2
		-SLH-0625 -135							
		-SLH-0750 - 90	0.750	1.750	3.543	3.976	0.740		5/8-18 x 1/2
		-SLH-0750 -135							
		-SLH-0875 - 90	0.875	2.000	3.543	4.331			
		-SLH-0875 -135							
-SLH-1000 -105	1.000	2.360	4.134		0.860		3/4-16 x 11/16		
-SLH-1000 -150									
-SLH-1250 -105	1.250	2.650	4.134	4.843					
-SLH-1250 -150									
-SLH-1500 -105	1.500	2.990	4.134		1.181				
-SLH-1500 -150									
-SLH-2000 -135	2	2.000	3.740	5.315		1.260	1.500	1-12 x 7/8	
-SLH-2000 -165									

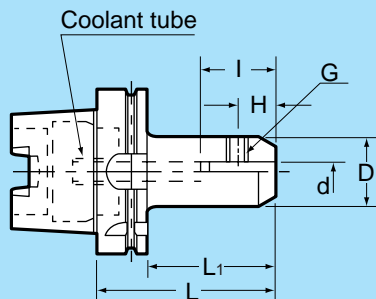
Ordering Example BT40-SLH-0500-75

Side Lock Holders H S K / S L 2 Metric

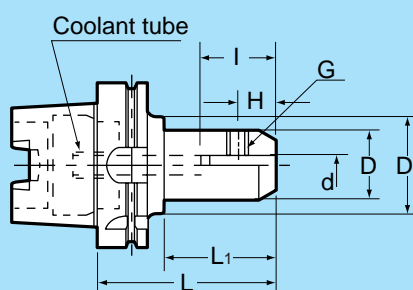
Feature

Special Anti-rust surface treatment
H6 I.D. tolerance

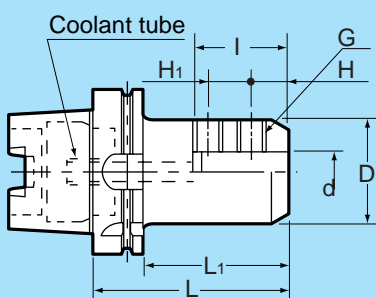
Type 1



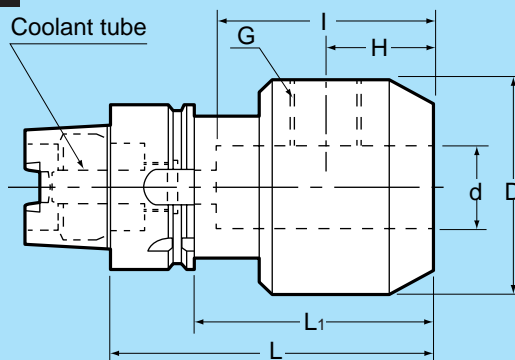
Type 2



Type 3



Type 4



Part Number	Type	dH ₆ (mm)	D	D ₁	L	L ₁	H	H ₁	I	G (mm)	
HSK 40 A	1	6	0.984							M 6	
		8	1.102		2.362	1.575	0.709		1.417	M 8	
		10	1.378				0.787		1.575	M10	
	4	12						0.886		1.772	M12
		16	1.654		2.953	2.165	0.945		1.890	M14	
		20					0.984		1.969	M16	
HSK 63 A	1	8	1.102	1.969	3.150	2.126	0.709		1.417	M 8	
					5.906	4.882					
		10	1.378		3.543	2.520	0.787		1.575	M10	
	12	1.654	3.740	2.717	0.886		1.772	M12			
			5.906	4.882							
	16	1.890	3.937	2.913	0.945		1.890	M14			
			5.906	4.882							
	20	2.047	3.937	2.913	0.984		1.969	M16			
			5.906	4.882							
	HSK100 A	2	8	1.102	1.969	3.543	1.929	0.709		1.417	M 8
6.496						4.882					
10			1.378		3.937	2.323	0.787		1.575	M10	
1		12	1.654	1.969	4.134	2.992	0.886		1.772	M12	
					6.496	5.354					
		16	1.890		4.331	3.189	0.945		1.890	M14	
20		2.047	1.969	4.331	3.189	0.984		1.969	M16		
				6.496	5.354						
3		25	2.559	1.969	4.528	3.386		0.984	2.205	M18	
					6.496	5.354					
		32	2.835		4.724	3.583		1.102	2.362	M20	
						6.496	5.354				

Ordering Example

HSK63A-SL2-12-95

HSK63A-H-SL2-12-95 (HSK Type A with manual clamping hole.)

Coolant tube built-in.

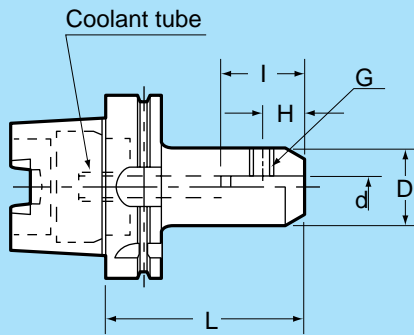
Side Lock Holders

HSK / SLH Inch

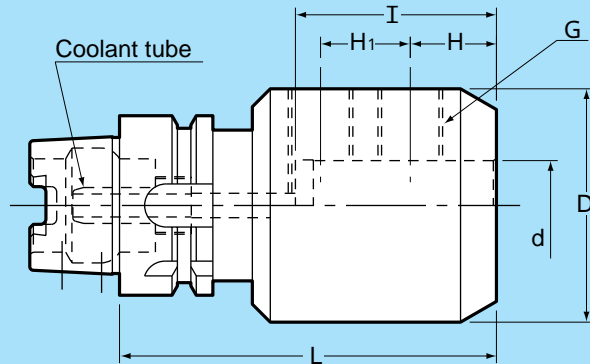
Feature

Special Anti-rust surface treatment
H₆ I.D. tolerance

Type 1



Type 2



Part Number	Type	dH ₆	D	L	I	H	H ₁	G		
HSK40A	1	-SLH-0250 -60	0.250	0.790	2.362	1.420	0.437	1/4-28 x 1/4		
		-105			4.134					
		-SLH-0313 -60	0.3125	0.870	2.362			1.560	0.710	5/16-24 x 1/4
		-105			4.134					
		-SLH-0375 -60	0.375	1.000	2.362			1.770	0.710	7/16-20 x 3/8
	-105	4.134								
	-SLH-0438 -60	0.4375	1.380	2.362	1.890	0.700	9/16-18 x 1/2			
	-105			4.134						
	-SLH-0500 -75	0.500	1.650	2.953	2.020	0.74	5/8-18 x 1/2			
	-105			4.134						
-SLH-0625 -75	0.625	1.750	2.953	2.270	0.860	3/4-16 x 11/16				
-105			4.134							
-SLH-0750 -75	0.750	1.750	5.315	2.717	1.181	3/4-16 x 11/16				
-135			5.315							
-SLH-0875 -75	0.875	2.000	2.953	2.717	1.181	3/4-16 x 11/16				
-135			5.315							
HSK63A	1	-SLH-0250 -60	0.250	0.790	2.362	1.420	0.437	1/4-28 x 1/4		
		-105			4.134					
		-SLH-0313 -80	0.3125	0.870	3.150			1.560	0.710	5/16-24 x 1/4
		-150			5.906					
		-SLH-0375 -90	0.375	1.000	3.543			1.770	0.710	7/16-20 x 3/8
		-150			5.906					
		-SLH-0438 -95	0.4375	1.380	3.740			1.890	0.700	9/16-18 x 1/2
	-150	5.906								
	-SLH-0500 -95	0.500	1.650	3.740	2.020	0.740	5/8-18 x 1/2			
	-150			5.906						
	-SLH-0625 -100	0.625	1.750	3.937	2.270	0.860	3/4-16 x 11/16			
	-150			5.906						
	-SLH-0750 -100	0.750	1.750	3.937	2.717	1.181	3/4-16 x 11/16			
	-150			5.906						
-SLH-0875 -100	0.875	2.000	3.937	2.717	1.181	3/4-16 x 11/16				
-150			5.906							
-SLH-1000 -100	1.000	2.360	3.937	2.717	1.181	3/4-16 x 11/16				
-150			5.906							
-SLH-1250 -100	1.250	2.650	3.937	2.717	1.181	3/4-16 x 11/16				
-150			5.906							
-SLH-1500 -100	1.500	2.990	3.937	2.717	1.181	3/4-16 x 11/16				
-150			5.906							

Side Lock Holders

HSK / SLH Inch

Part Number	Type	dH ₆	D	L	I	H	H ₁	G	
HSK100A	1	-SLH-0250 - 75 -135	0.250	0.790	2.953 5.315	1.420	0.437	1/4-28 x 1/4	
		-SLH-0313 - 75 -135	0.3125	0.870	2.953 5.315			5/16-24 x 1/4	
		-SLH-0375 - 90 -150	0.375	1.000	3.543 5.906	1.560	3/8-24 x 5/16		
		-SLH-0438 -100 -165	0.4375	1.380	3.937 6.496	1.770	0.710	7/16-20 x 3/8	
		-SLH-0500 -105 -165	0.500		4.134 6.496				
		-SLH-0625 -110 -165	0.625	1.650	4.331 6.496	1.890	0.700	9/16-18 x 1/2	
		-SLH-0750 -110 -165	0.750	1.750	4.331 6.496	2.020	0.740	5/8-18 x 1/2	
		-SLH-0875 -110 -165	0.875	2.000	4.331 6.496				
		-SLH-1000 -115 -165	1.000	2.360	4.528 6.496	2.270	0.860	3/4-16 x 11/16	
		-SLH-1250 -120 -165	1.250	2.650	4.724 6.496				
		-SLH-1500 -120 -165	1.500	2.990	4.724 6.496	2.717	1.181		
		-SLH-2000 -135 -180	2	2.000	3.740	5.315 7.087	3.380	1.260	1-12 x 7/8
		-SLH-2500 -135 -180		2.500	4.250	5.315 7.087		1.162	

Ordering Example HSK63A-SLH-0500-95
 HSK63A-H-SLH-0500-95 (HSK Type A with manual clamping hole.)
 Coolant tube built-in.