

Adjustable Adapter Drill socket

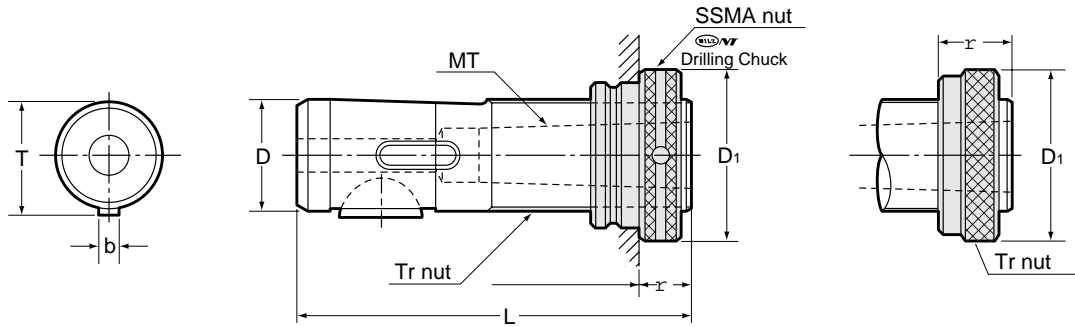
Short Design Type

Application

Drilling and Spot Facing

Feature

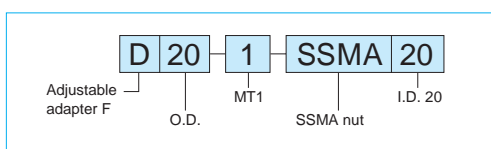
Both Tr nut type and SSMA nut type are available in many sizes. SSMA nut type is suitable for use with drilling chuck.



Part Number	MT	D	D1±0.2		L	b	T	r	
			SSMA	Tr nut				SSMA	Tr nut
D 16- 1 / SSMA 16 Tr16	1	16	26	25	85	5	17.1	9 ~ 37	12 ~ 38
D 20- 1 / SSMA 20 Tr20	1	20	33	32	88		21.1		
D 25- 1 / SSMA 25 Tr25	1	25	40	37	95	6	26.5	10 ~ 40	12 ~ 42
	2								
D 26- 1 / Tr26	1	26	-	40	95	5	27.5	-	12 ~ 42
	2								
D 28- 1 / SSMA 28 Tr28	1	28	42	40	95	6	29.5	10 ~ 40	14 ~ 48
	2								
D 32- 2 / SSMA 32 Tr32	2	32	47	45	118	8	33.5	10 ~ 46	14 ~ 48
	3								
D 35- 2 / Tr35	1	35	-	50	118	6	36.5	-	14 ~ 48
	2								
	3								
D 36- 2 / SSMA 36 Tr36	2	36	54	50	118	8	37.5	10 ~ 46	18 ~ 63
	3								
D 48- 2 / SSMA 48 Tr48	2	48	72	67	144	10	49.9	14 ~ 61	18 ~ 63
	3								
	4								
	3-8								
4-8	4					8			

All dimensions shown in

Ordering Example



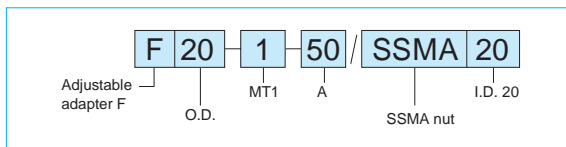
Adjustable Adapter Drill socket

Long Design Type

Part Number	MT	A	D	D _{1±0.2}		L	b	T	r	
				SSMA	Tr nut				SSMA	Tr nut
F 3 2-3-	3	30	32	47	45	148	8	33.5	40 ~ 66	44 ~ 78
		60							70 ~ 106	74 ~ 108
		90							100 ~ 136	104 ~ 138
		120							130 ~ 166	134 ~ 168
F 3 5-2-	2	30	35	-	50	148	6	36.5	-	44 ~ 78
		60							74 ~ 108	
		90							104 ~ 138	
		120							134 ~ 168	
F 3 5-3-	3	30	35	-	50	148	6	36.5	-	44 ~ 78
		60							74 ~ 108	
		90							104 ~ 138	
		120							134 ~ 168	
F 3 6-2-	2	30	36	54	50	148	8	37.5	40 ~ 66	44 ~ 78
		60							70 ~ 106	74 ~ 108
		90							100 ~ 136	104 ~ 138
		120							130 ~ 166	134 ~ 168
F 3 6-3-	3	30	36	54	50	148	8	37.5	40 ~ 66	44 ~ 78
		60							70 ~ 106	74 ~ 108
		90							100 ~ 136	104 ~ 138
		120							130 ~ 166	134 ~ 168
F 4 8-3-	3	40	48	72	67	184	10	49.9	54 ~ 101	58 ~ 103
		80				224			98 ~ 143	
		120				264			138 ~ 183	
		160				304			178 ~ 223	
F 4 8-4-	4	40	48	72	67	184	10	49.9	54 ~ 101	58 ~ 103
		80				224			98 ~ 143	
		120				264			138 ~ 183	
		160				304			178 ~ 223	
F 4 8-3-	3	40-8	48	72	67	184	8	49.9	54 ~ 101	58 ~ 103
		80-8				224			98 ~ 143	
		120-8				264			138 ~ 183	
		160-8				304			178 ~ 223	
F 4 8-4-	4	40-8	48	72	67	184	8	49.9	54 ~ 101	58 ~ 103
		80-8				224			98 ~ 143	
		120-8				264			138 ~ 183	
		160-8				304			178 ~ 223	

All dimensions shown in

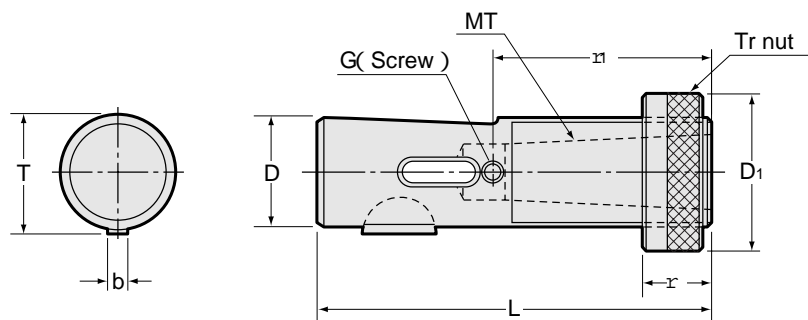
Ordering Example



Adjustable Adapter Drill socket

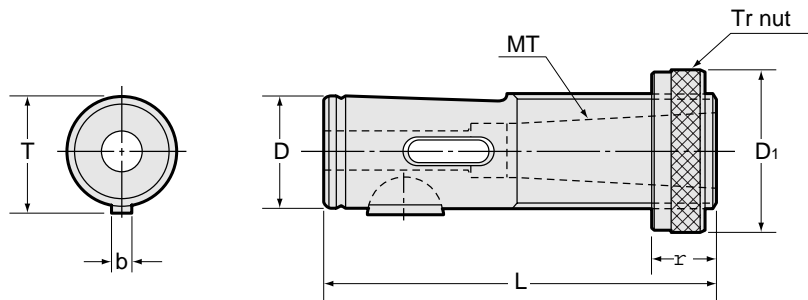
H . M Series

H Series



Part Number	MT	D	D1±0.2	L	b	T	r	r1	G	
H- 11810 / 11811 / 11812 / 11813 / 11814 / Tr18H	1	18	32	102	4	19.5	12 ~ 52	48	M6 P=1	
				112						12 ~ 62
				122						12 ~ 72
				132						12 ~ 82
				142						12 ~ 92
H- 12610 / 12611 / 12612 / 12613 / 12614 / Tr26H	1	26	40	102	5	27.5	12 ~ 52	48	M6 P=1	
				112						12 ~ 62
				122						12 ~ 72
				132						12 ~ 82
				142						12 ~ 92
H- 22610 / 22611 / 22612 / 22613 / 22614 / Tr26H	2	26	40	102	5	27.5	12 ~ 52	56.3	M6 P=1	
				112						12 ~ 62
				122						12 ~ 72
				132						12 ~ 82
				142						12 ~ 92

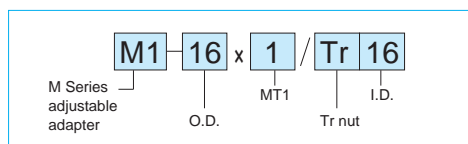
M Series



Part Number	MT	D	D1±0.2	L	b	T	P	r
M 1 - 16 x 1 / Tr16	1	16	25	78	4	17.5	1.5	12 ~ 38
M 1 - 20 x 1 / Tr20	1	20	32	78	5	22	2.0	12 ~ 38
M 1 - 26 x 1 / 26 x 2 / Tr26	1	26	40	94	5	28	2.0	12 ~ 43
	2							
M 1 - 28 x 1 / 28 x 2 / Tr28	1	28	40	94	5	30	2.0	12 ~ 43
	2							
M 1 - 32 x 2 / 32 x 3 / Tr32	2	32	45	117	6	34.4	2.0	14 ~ 47
	3							

All dimensions shown in

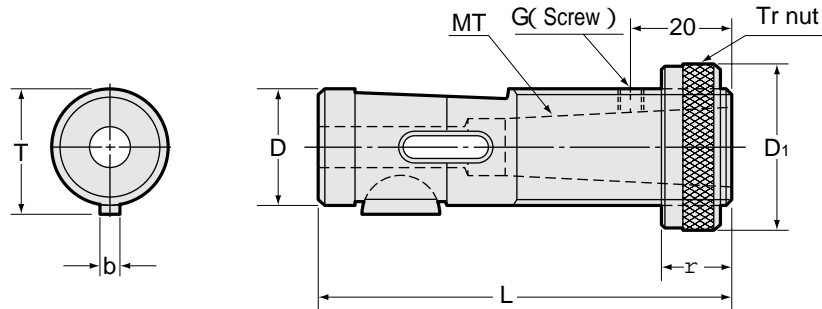
Ordering Example



Adjustable Adapter Drill socket

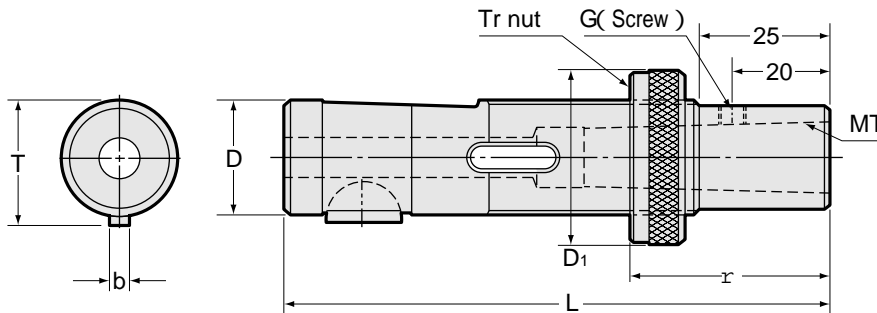
N Series

N Series



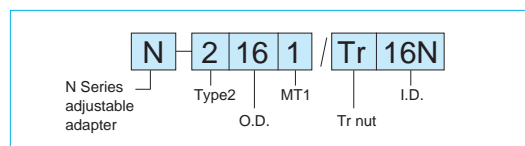
Part Number	MT	D	D1±0.2	L	b	T ⁰ _{-0.2}	r	G
N- 1161 / Tr16N	1	16	25	85	4	17.5	12 ~ 37	M5 P=0.8
N- 1201 / Tr20N	1	20	32	85	5	22.0	12 ~ 37	M5 P=0.8
N- 1241 / Tr24N	1	24	37	85	5	26.0	12 ~ 37	M5 P=0.8
N- 1261 / Tr26N	1	26	40	96	7	28.6	12 ~ 43	M6 P=1.0
	2							
N- 1302 / Tr30N	2	30	45	100	7	32.6	14 ~ 46	M6 P=1.0
N- 1362 / Tr36N	2	36	50	118	10	39.2	14 ~ 54	M6 P=1.0
	3							
N- 1483 / Tr48N	3	48	67	142	12	51.2	18 ~ 64	M6 P=1.0
	4							

N Series



Part Number	MT	D	D1±0.2	L	b	T ⁰ _{-0.2}	r	G
N- 2161 / Tr16N	1	16	25	110	4	17.5	38 ~ 62	M5 P=0.8
N- 2201 / Tr20N	1	20	32	110	5	22.0	38 ~ 62	M5 P=0.8
N- 2241 / Tr24N	1	24	37	110	5	26.0	38 ~ 62	M5 P=0.8
N- 2261 / Tr26N	1	26	40	121	7	28.6	38 ~ 68	M6 P=1.0
	2							
N- 2302 / Tr30N	2	30	45	125	7	32.6	40 ~ 71	M6 P=1.0
N- 2362 / Tr36N	2	36	50	143	10	39.2	40 ~ 79	M6 P=1.0
	3							
N- 2483 / Tr48N	3	48	67	167	12	51.2	44 ~ 89	M6 P=1.0
	4							

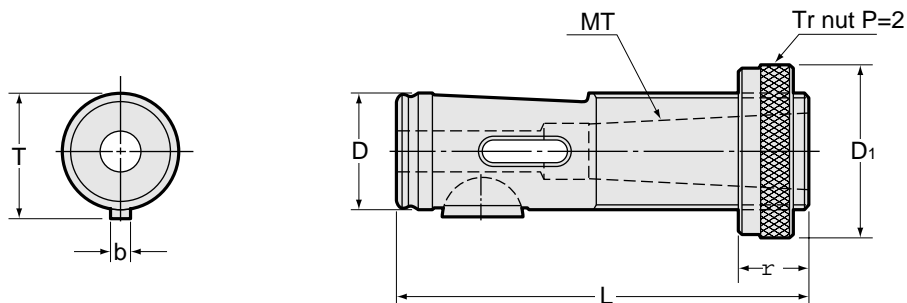
Ordering Example



Adjustable Adapter Drill socket

T Series

T Series



Part Number	MT	D	D1±0.2	L	b	T ⁰ _{-0.2}	r
T -1×16 / Tr16×2	1	16	25	80	3	17	12~35
T -1×19 / Tr19	1	19	32	80	5	21	12~35
T -1×22 / Tr22	1	22	32	92	5	24	12~40
	2						
T -1×26 / Tr26	1	26	40	102	5	28	12~45
	2						
T -3×35 / Tr35	3	35	50	122	7	38	14~52
T -4×48 / Tr48	4	48	67	152	7	51	18~62

Ordering Example

